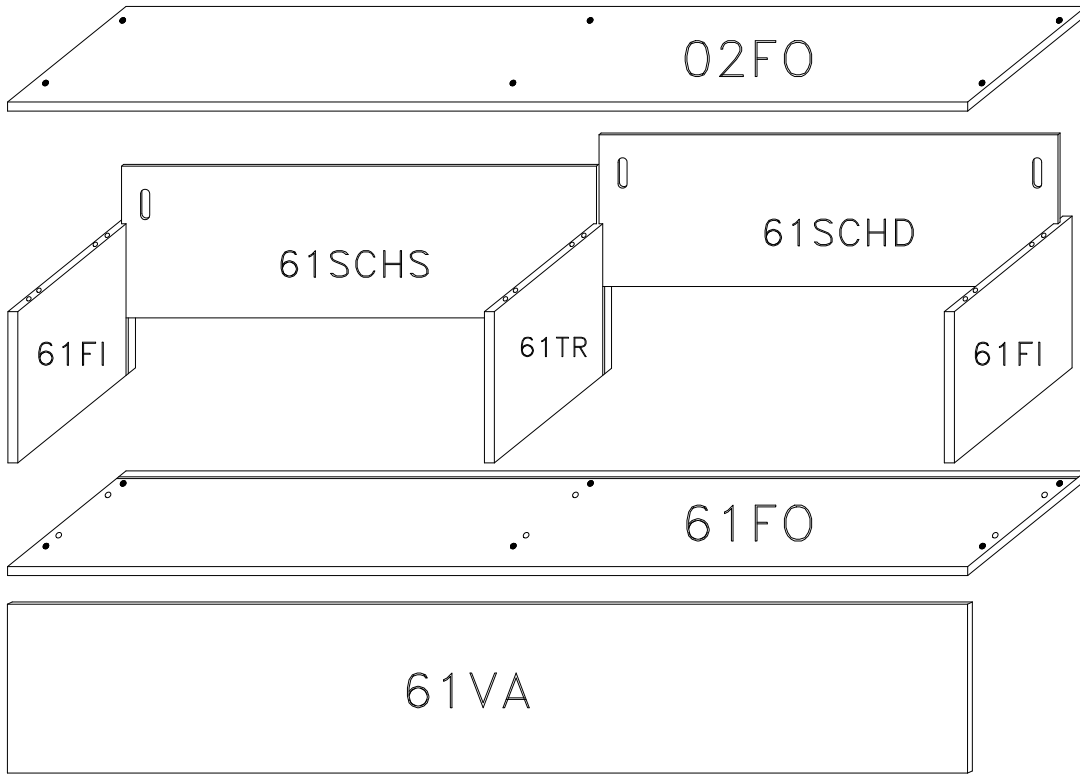
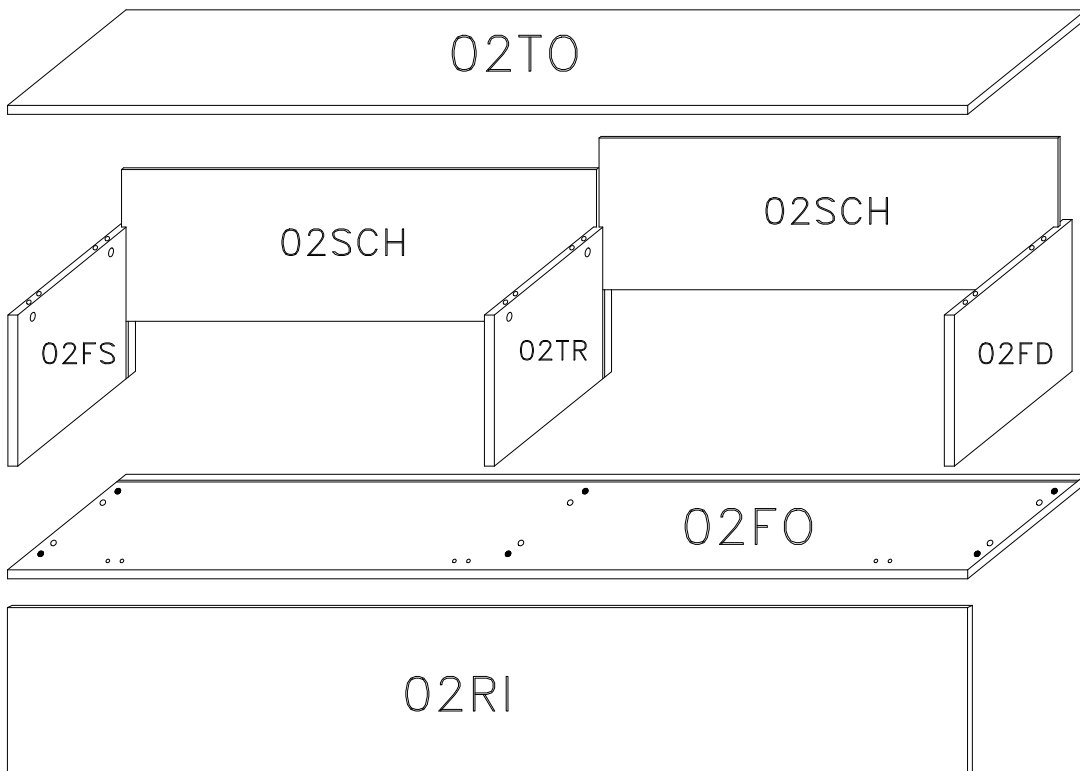
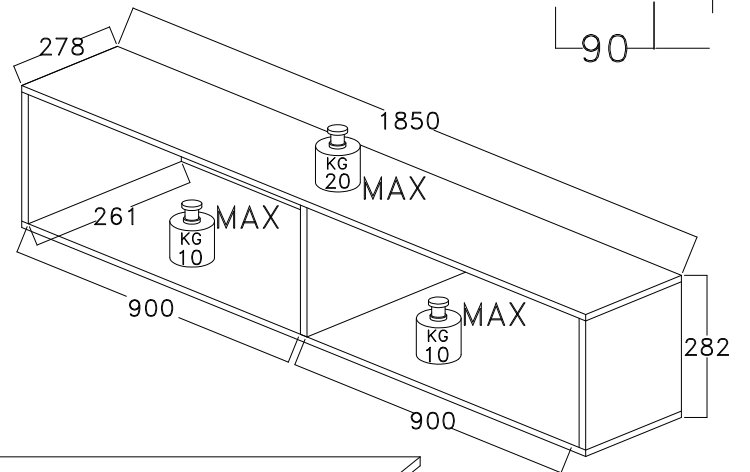
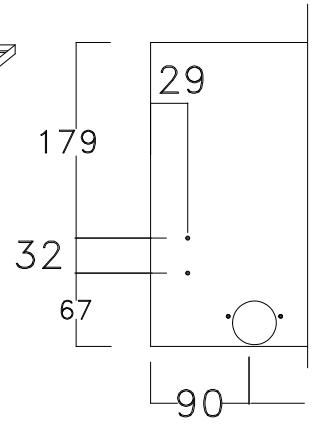


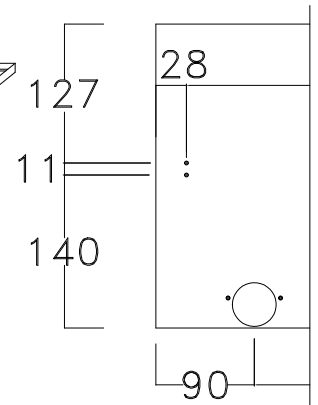
709007-62



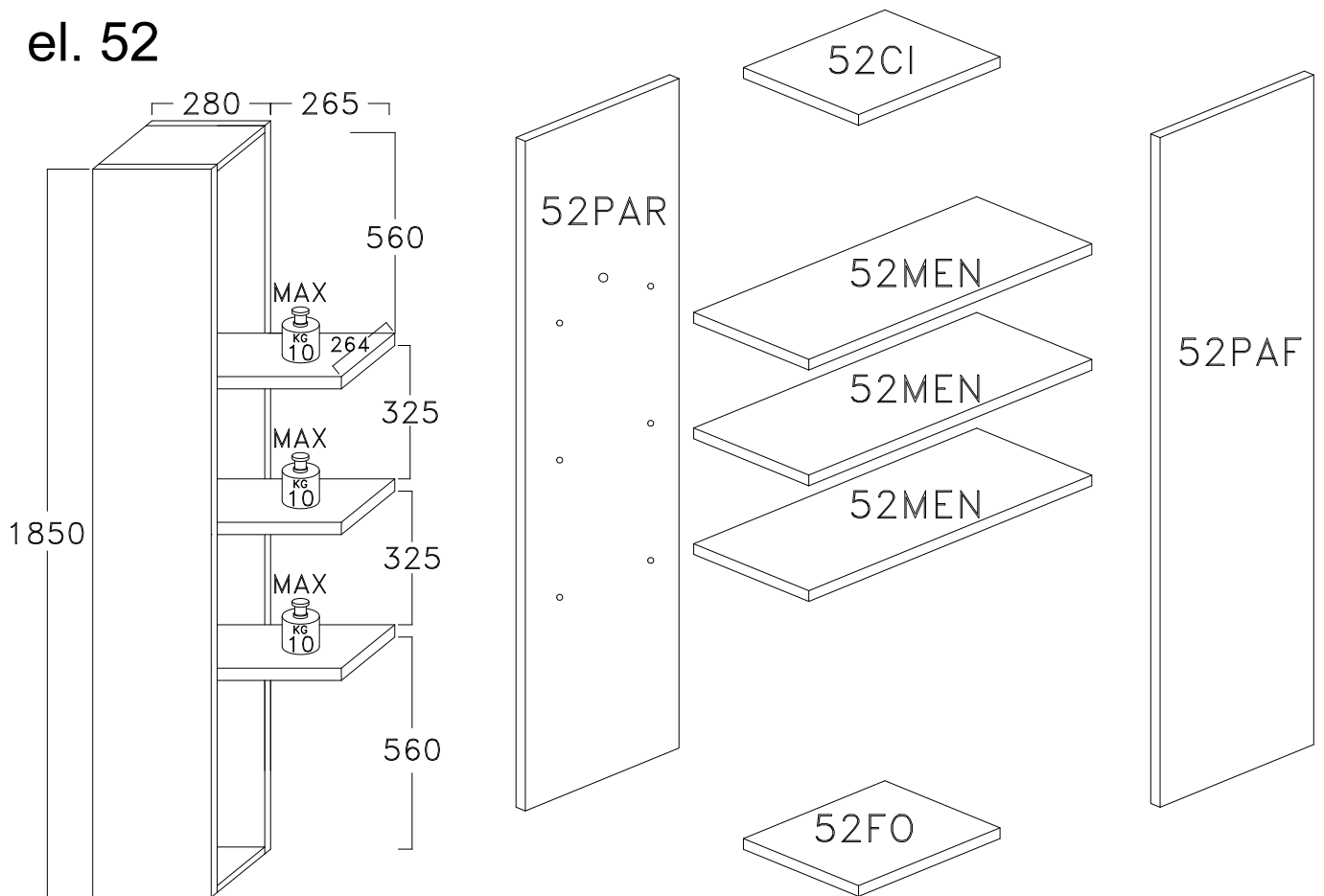
el. 61



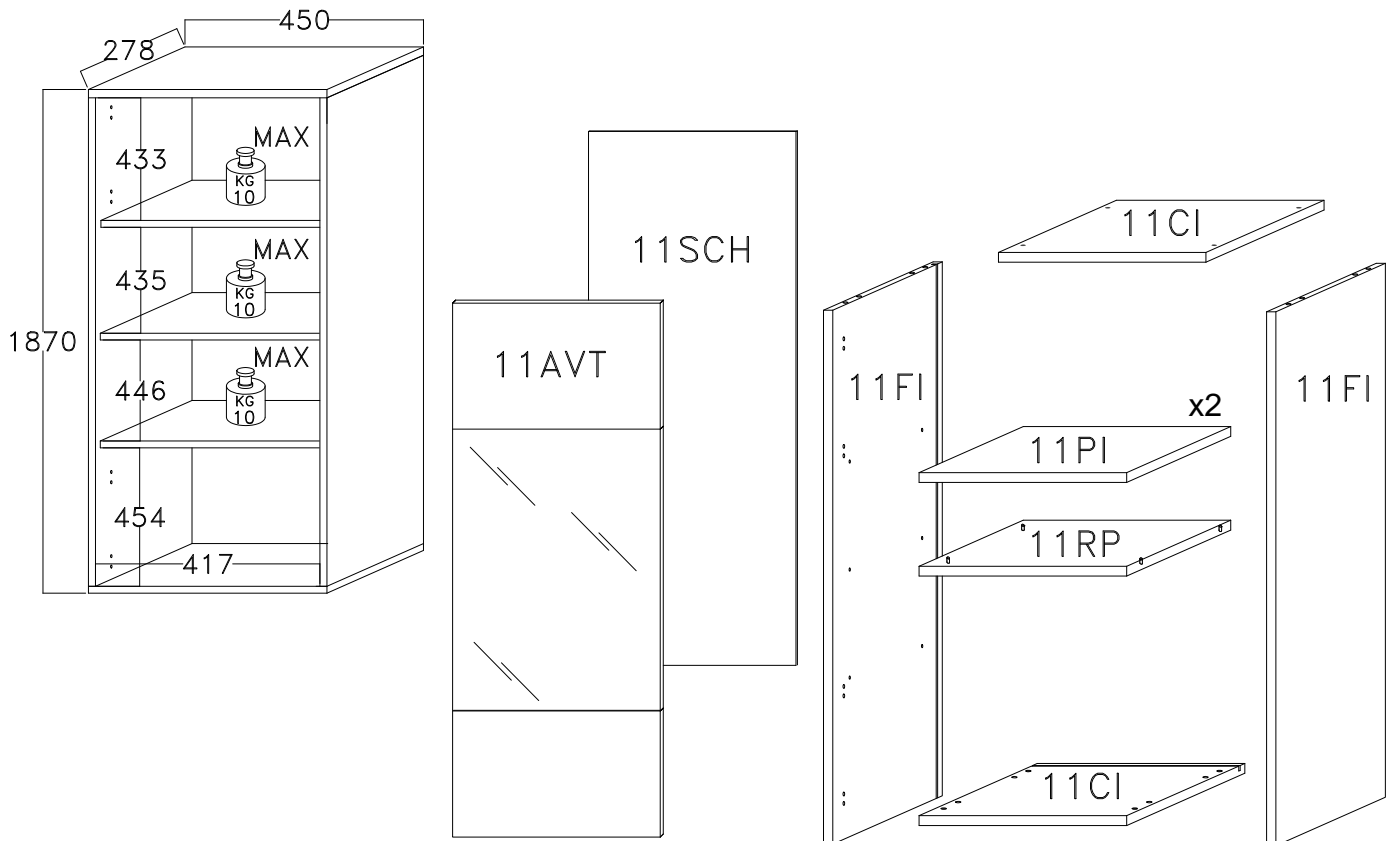
el. 02

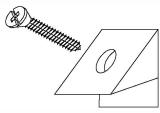


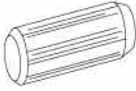


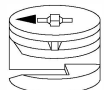
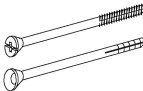
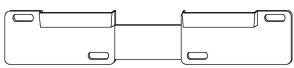
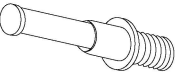
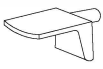


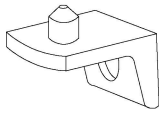
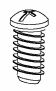
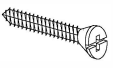
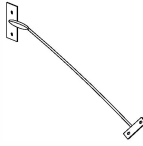
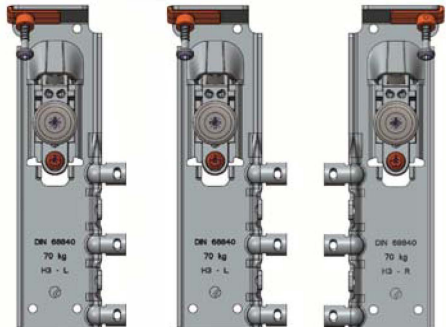



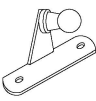
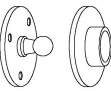

el. 52


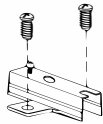
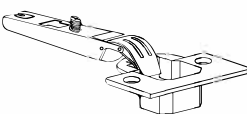


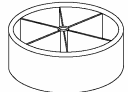
el. 11

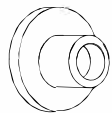



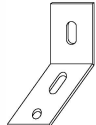
A		x54	P		x8	M2		3.5x16 mm.	x8
B		x42	P16		x15	TA			x3
C		x14	P40		x1	ST			x2
D		x14	R		x8	L3520		3,5x20 mm.	x6
E		x38	R2		x4	M9		6x9 mm.	x4
L		x20	BP		x2				

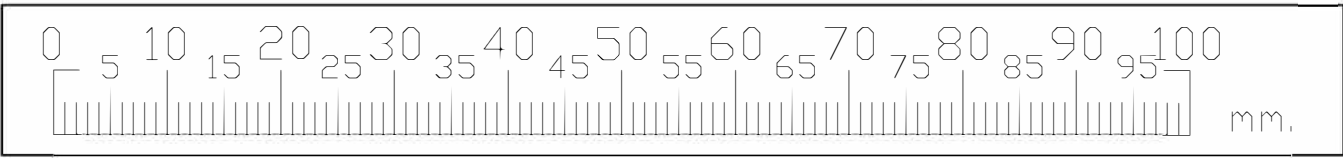
K8		x2
P18		x2
P54		x2
M16		x10

L2		x20
H2E		x10
O2		x10

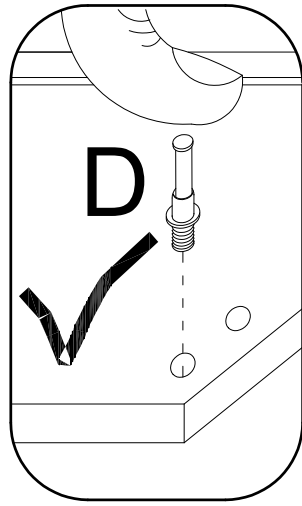
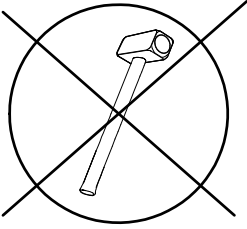
F19		x13
	$\varnothing 60 \text{ mm}$ $h 20 \text{ mm}$	

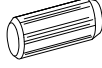
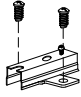
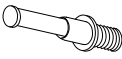

DIST		x1
-------------	---	-----------

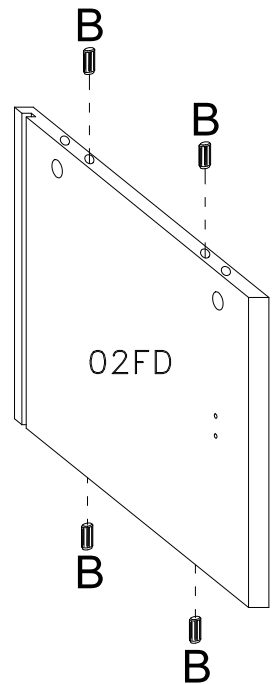
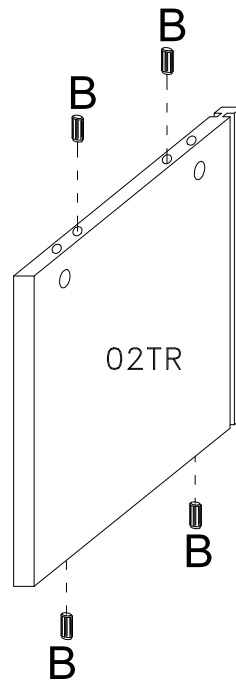
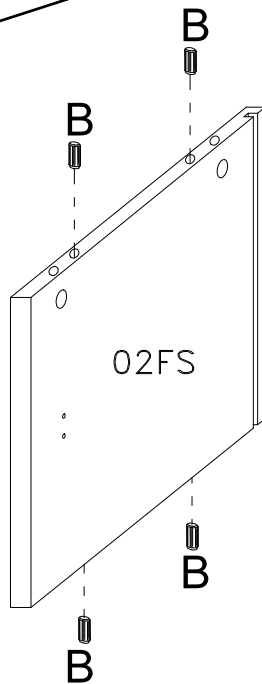
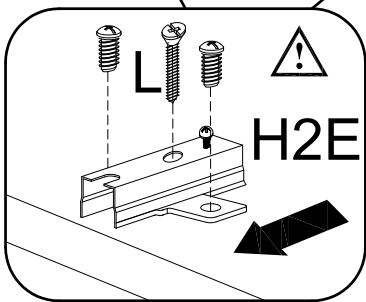
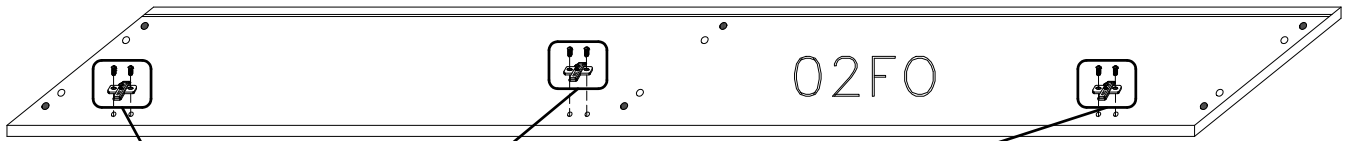
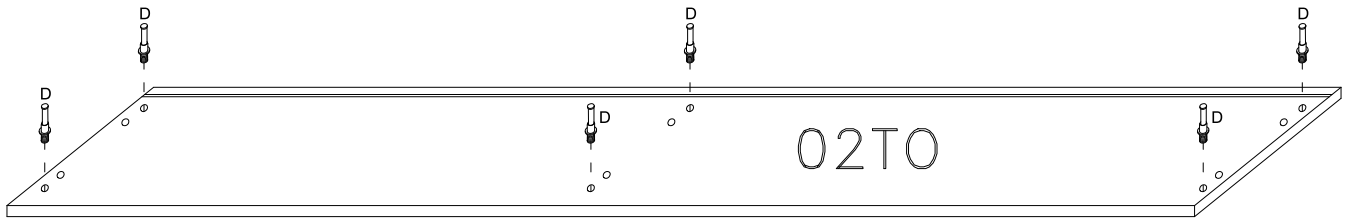
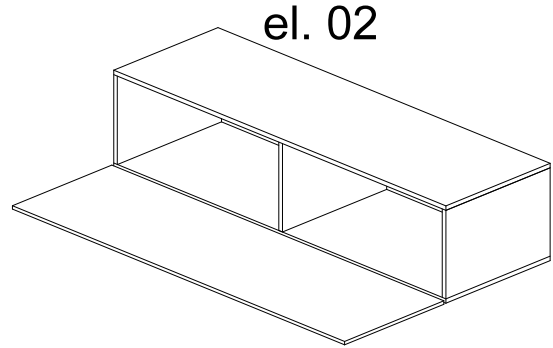
L18		x6
PST		x3



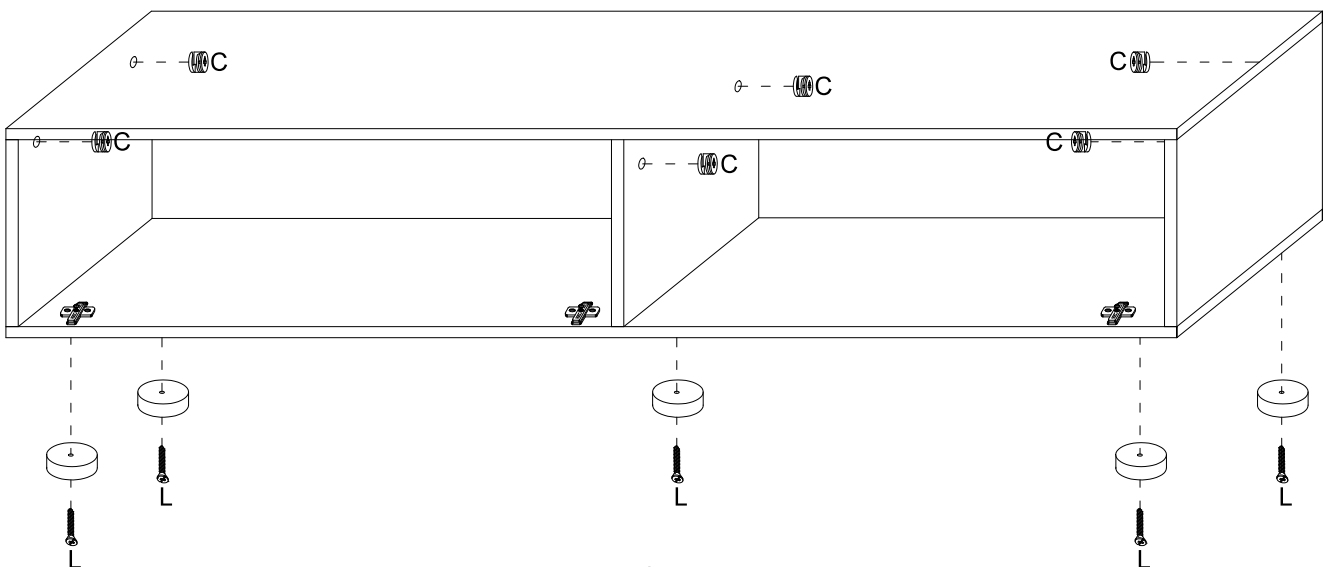
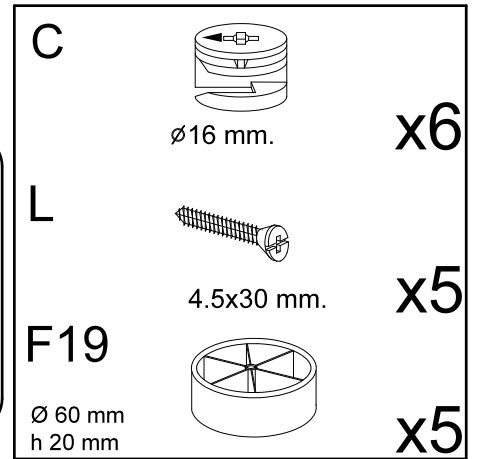
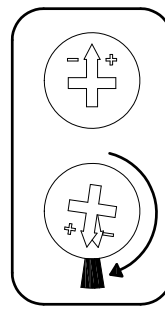
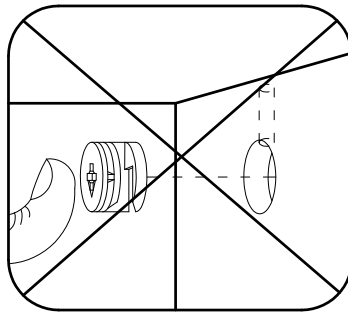
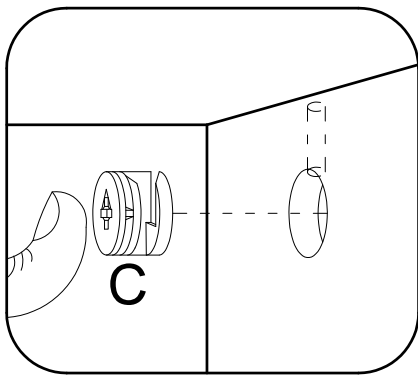
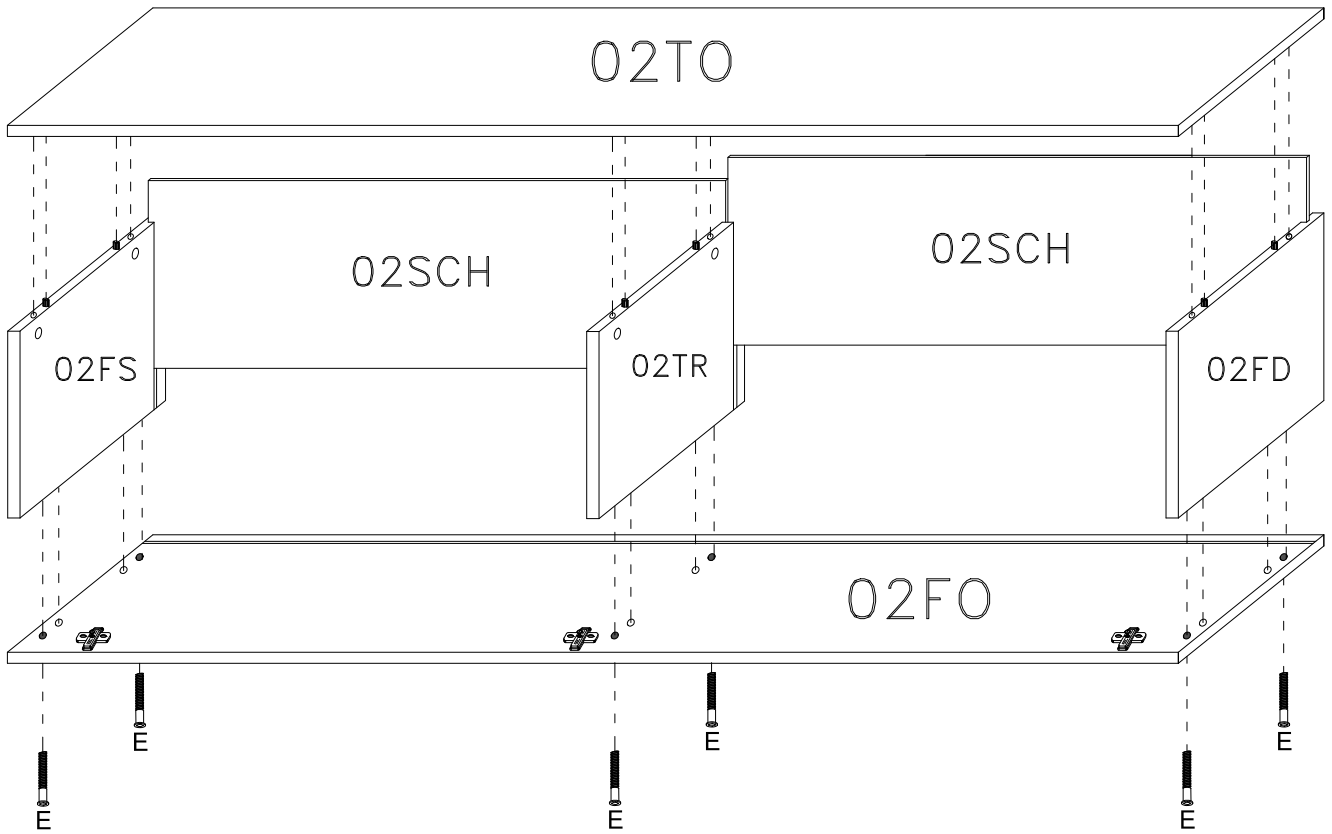
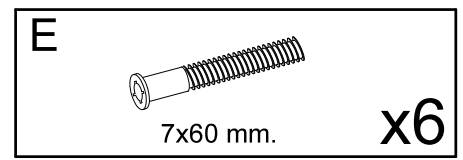
1



B	 8x30 mm.	x12	H2E	 x3
D		x6	L	 4.5x30 mm. x3

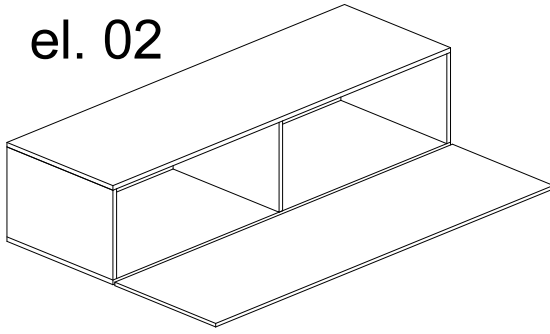


2

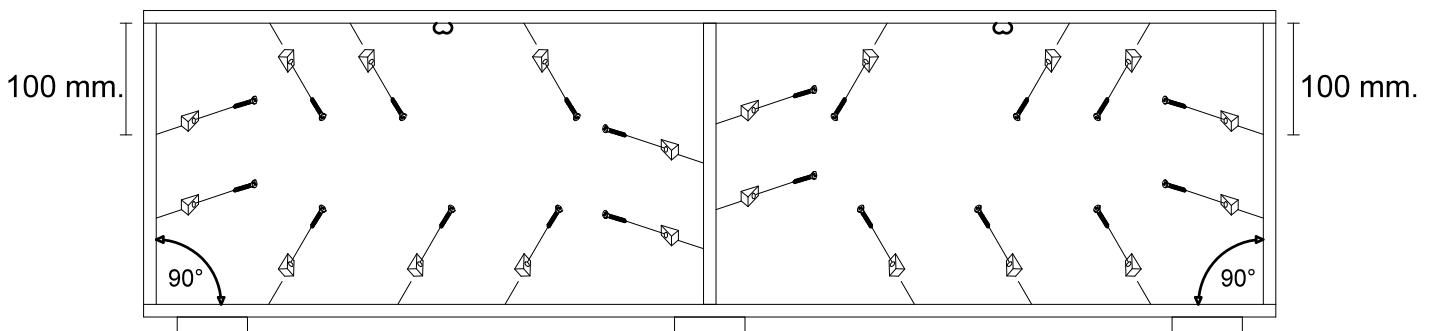
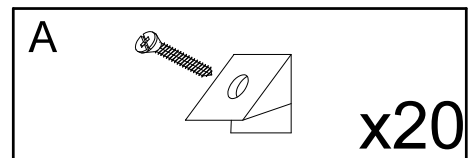
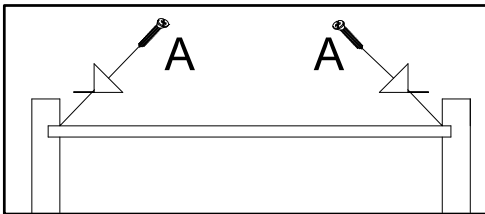
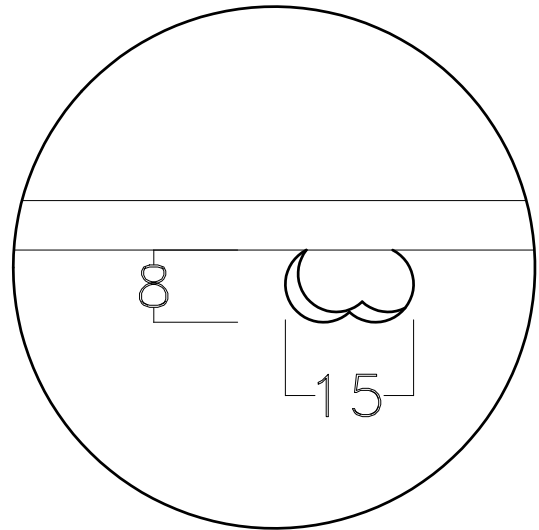
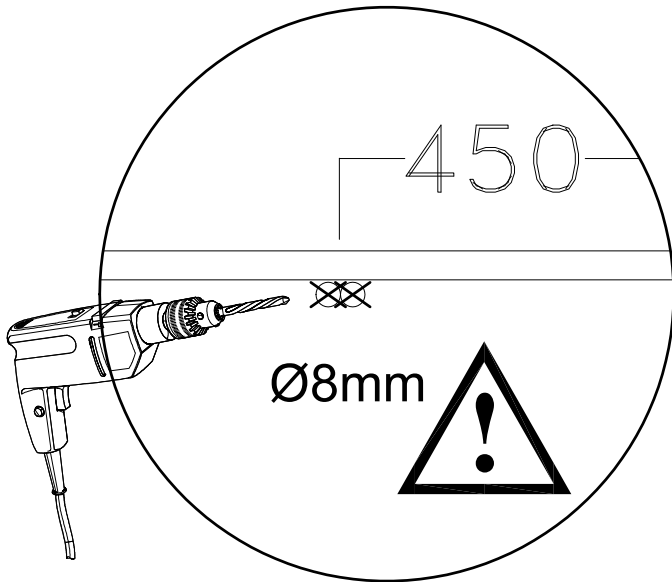
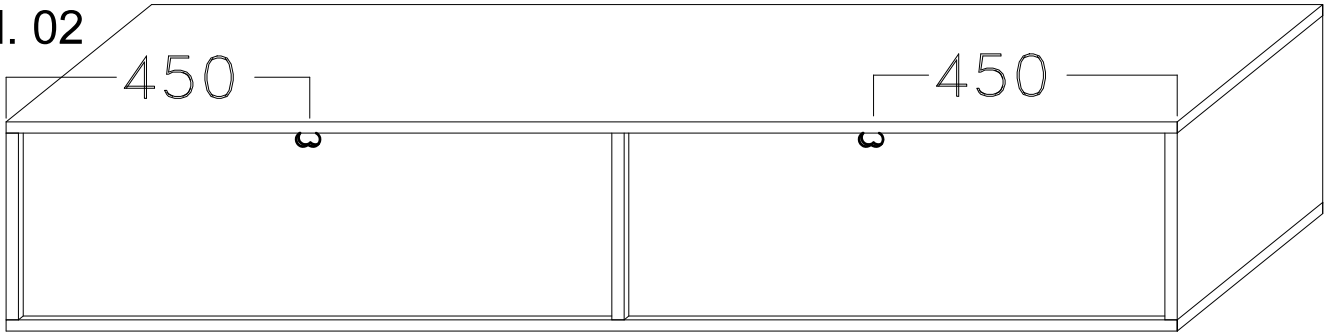


3

el. 02

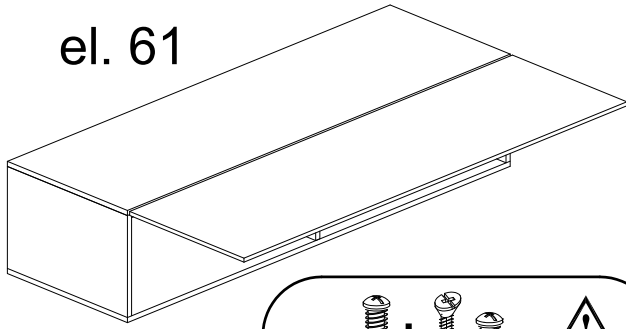


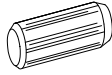
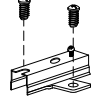

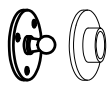

el. 02

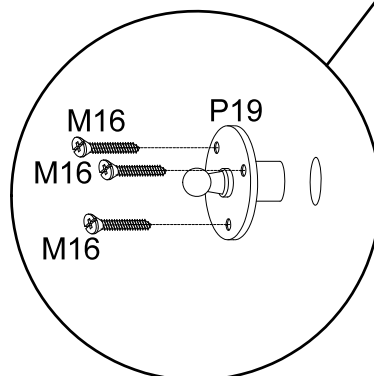
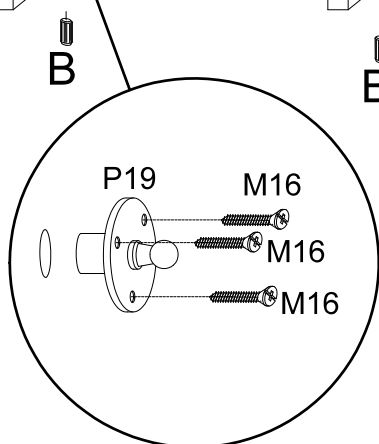
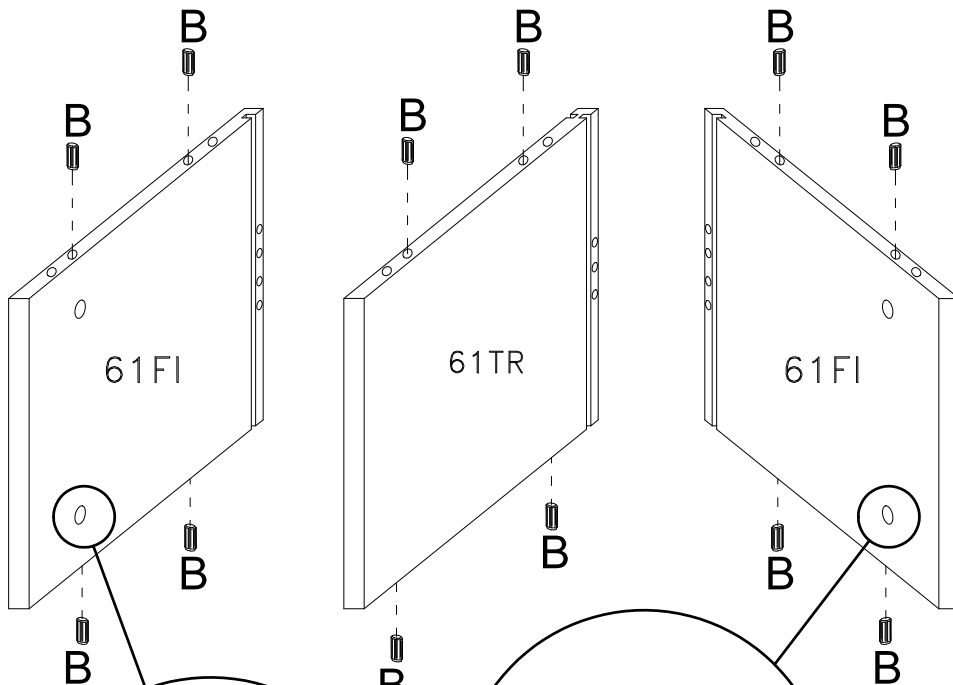
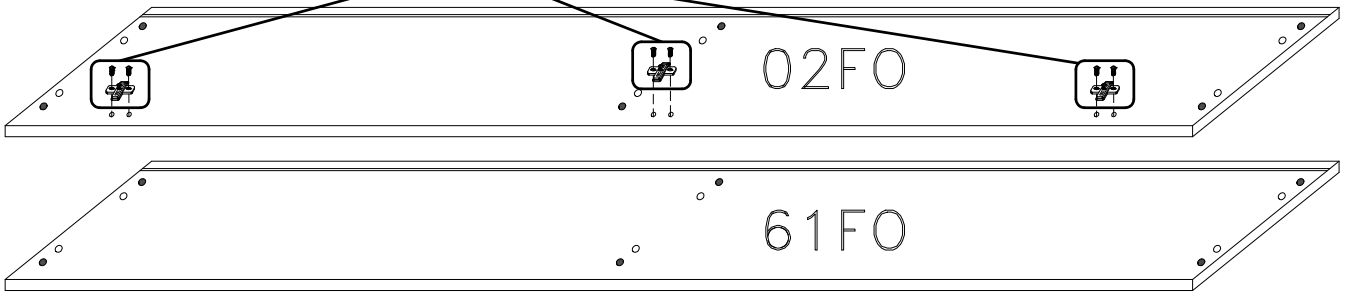
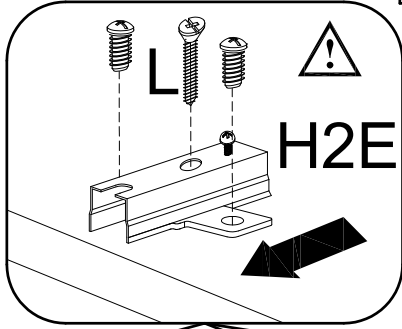


4

el. 61

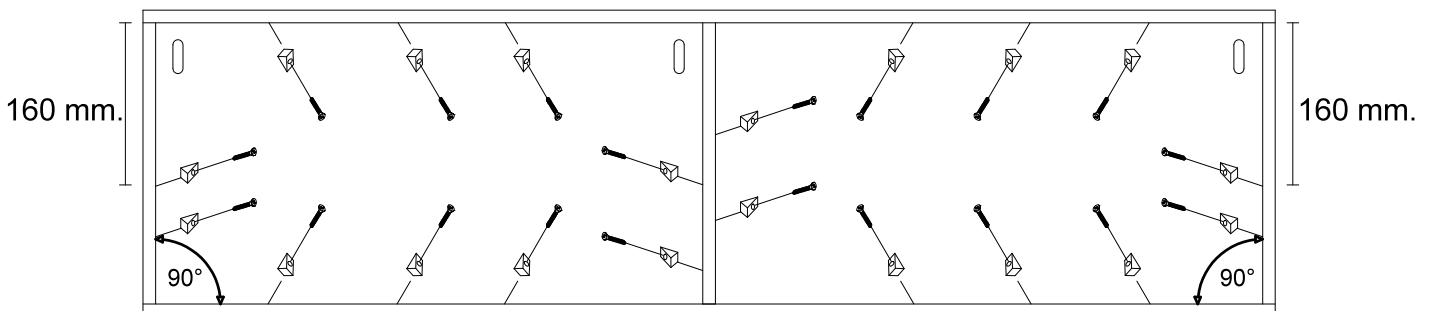
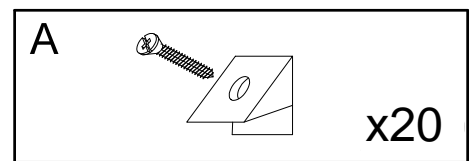
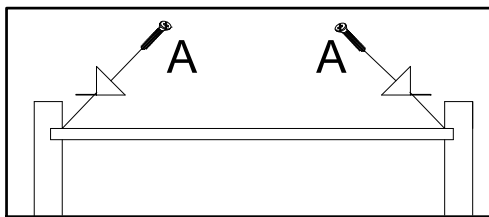
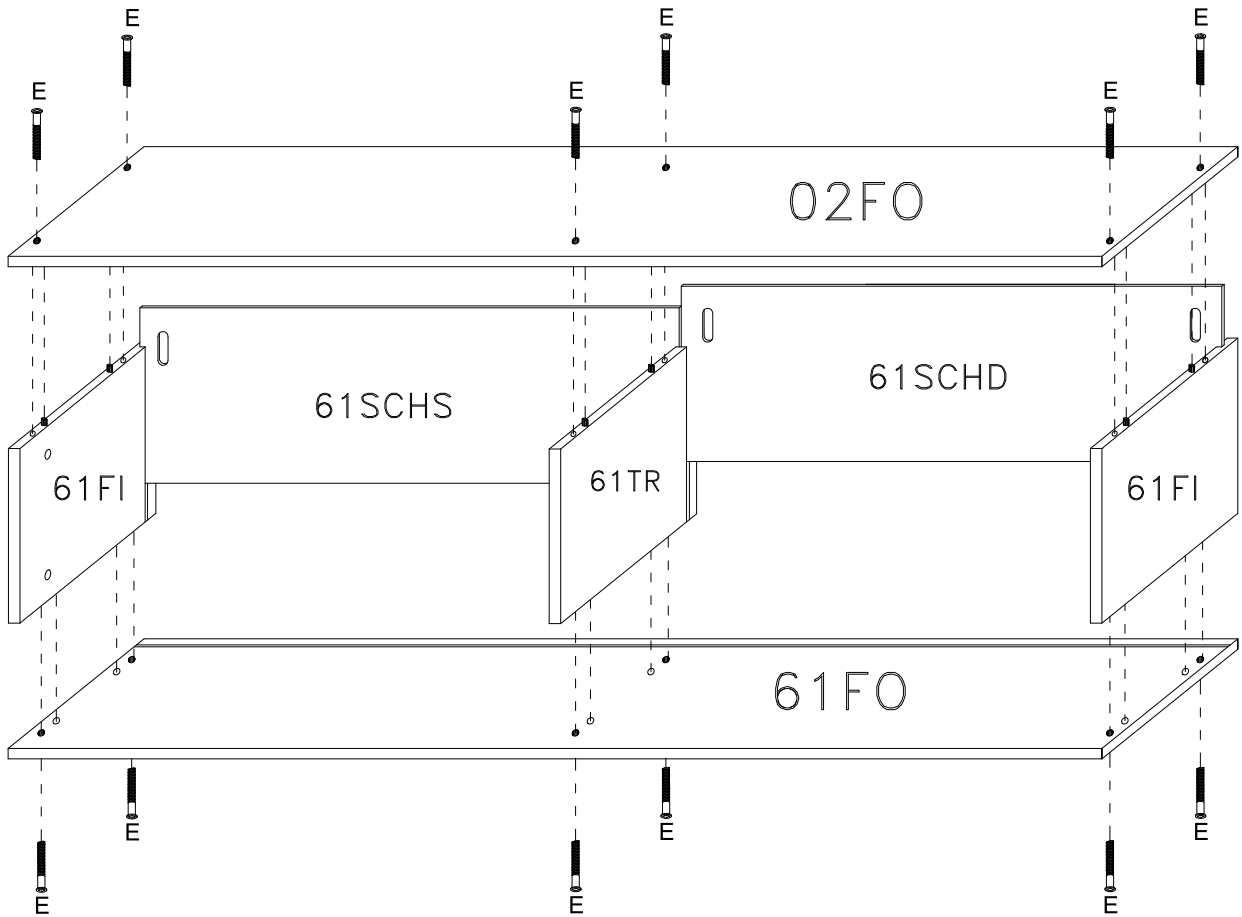
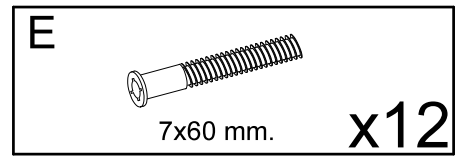
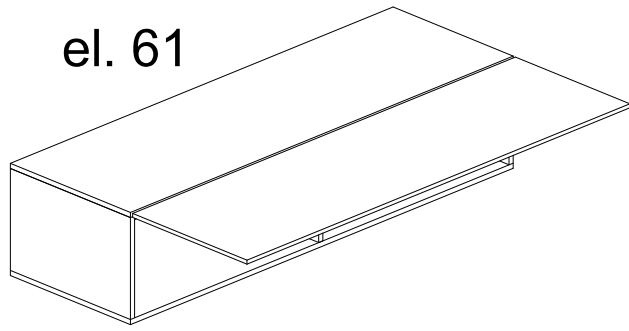


B		8x30 mm.	x12	H2E		x3
L		4.5x30 mm.	x3	P19		x2
				M16		x6
					3x16 mm.	



5

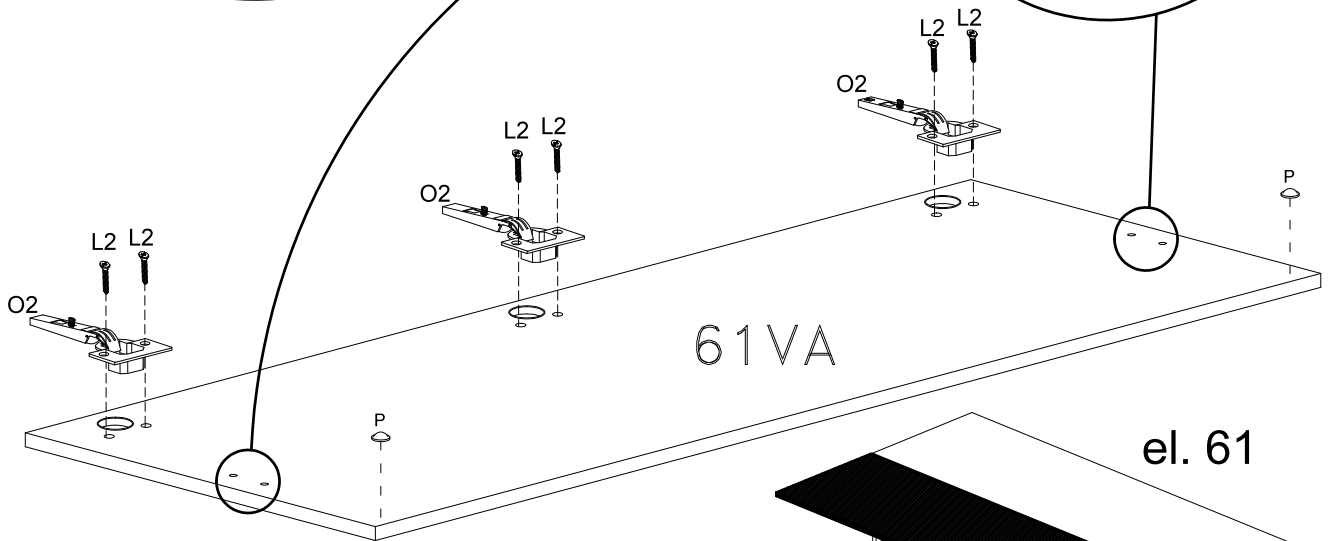
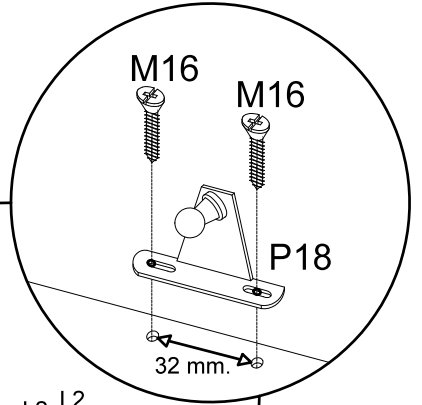
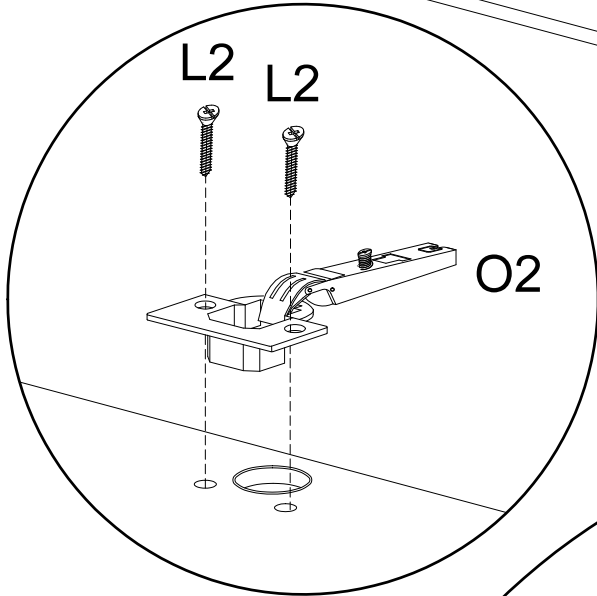
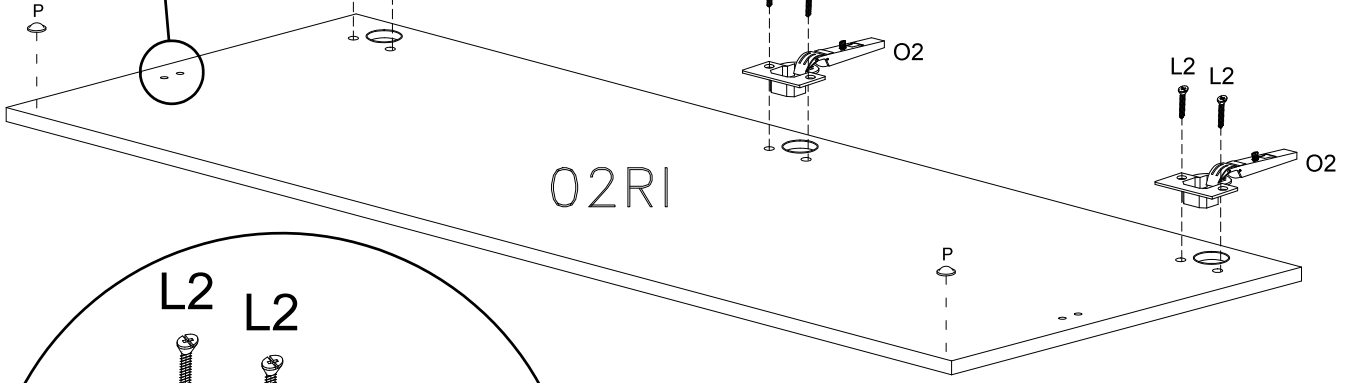
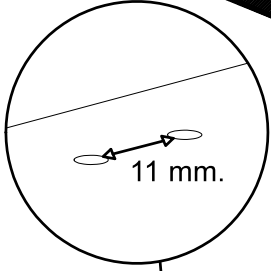
el. 61



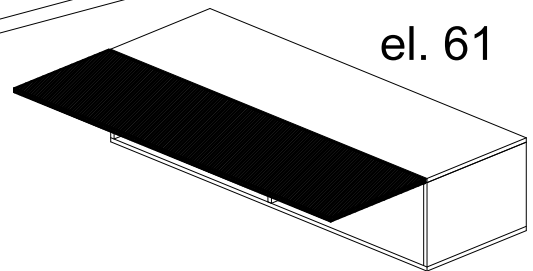
6

el. 02

O2		P		x4
	x6			
L2		P18		x2
	4x16 mm.	x12		
		M16		x4
			3x16 mm.	

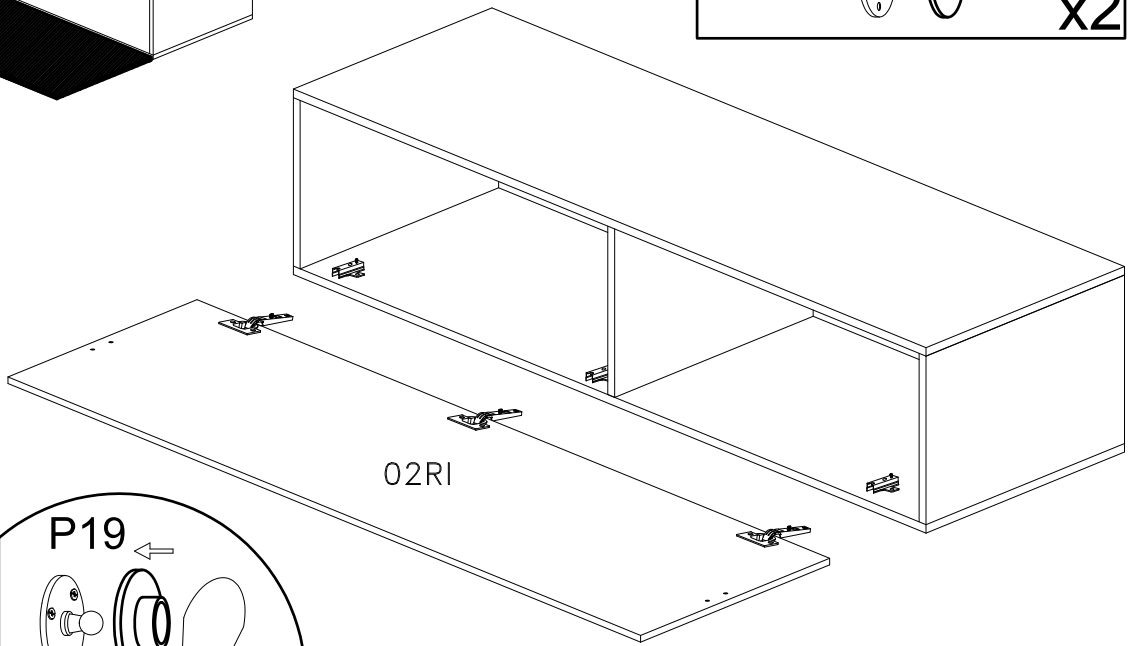
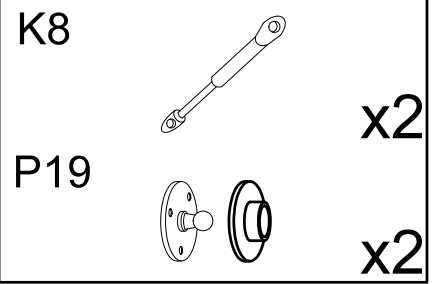
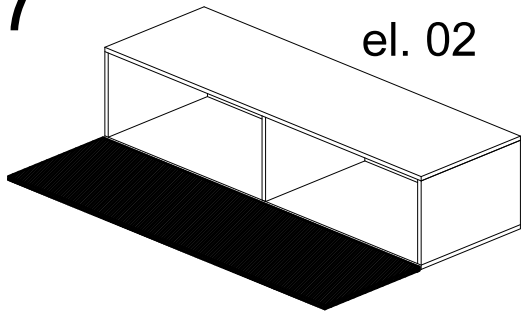


el. 61

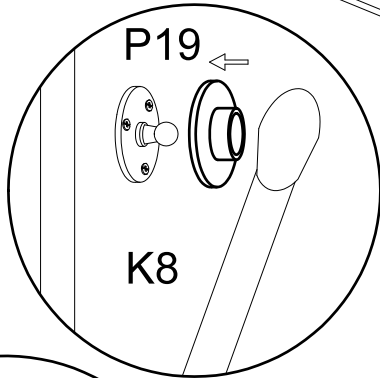


7

el. 02

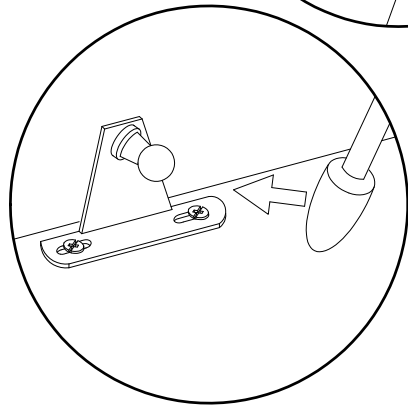


02RI

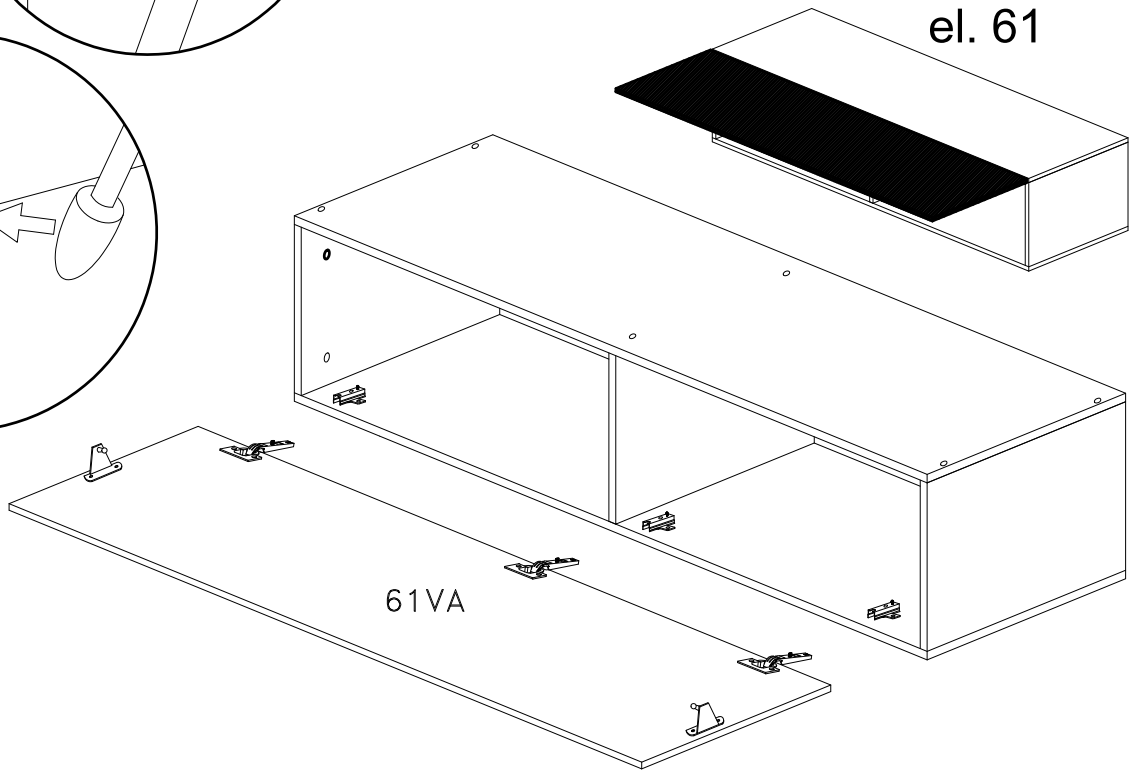


P19

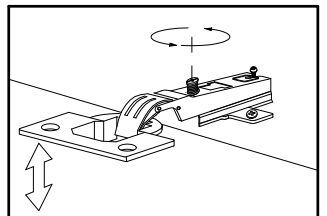
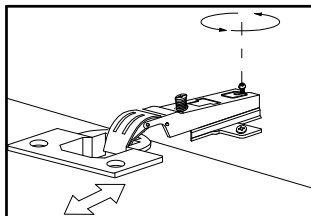
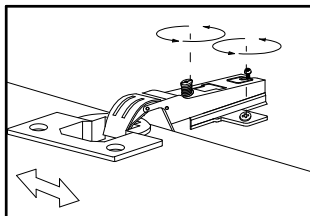
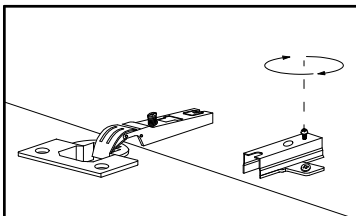
K8



el. 61

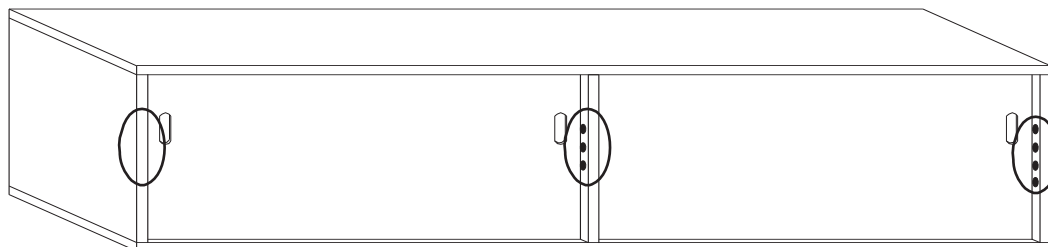


61VA

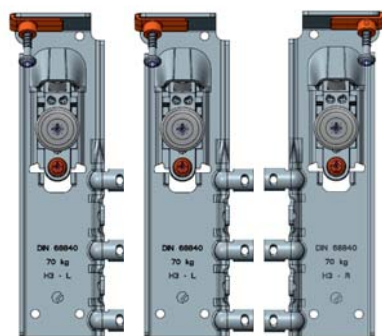


8

EL.61



AT

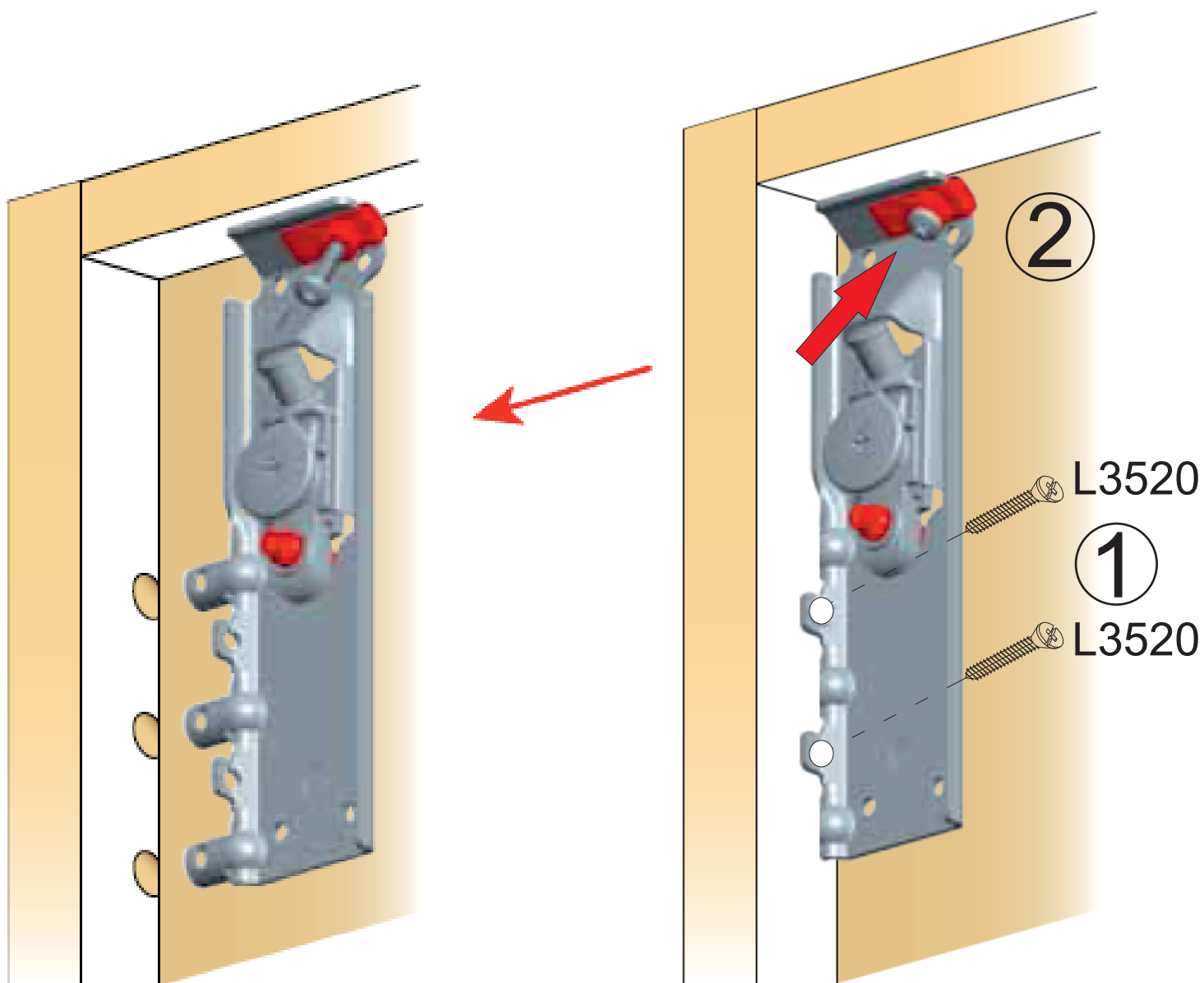


L3520



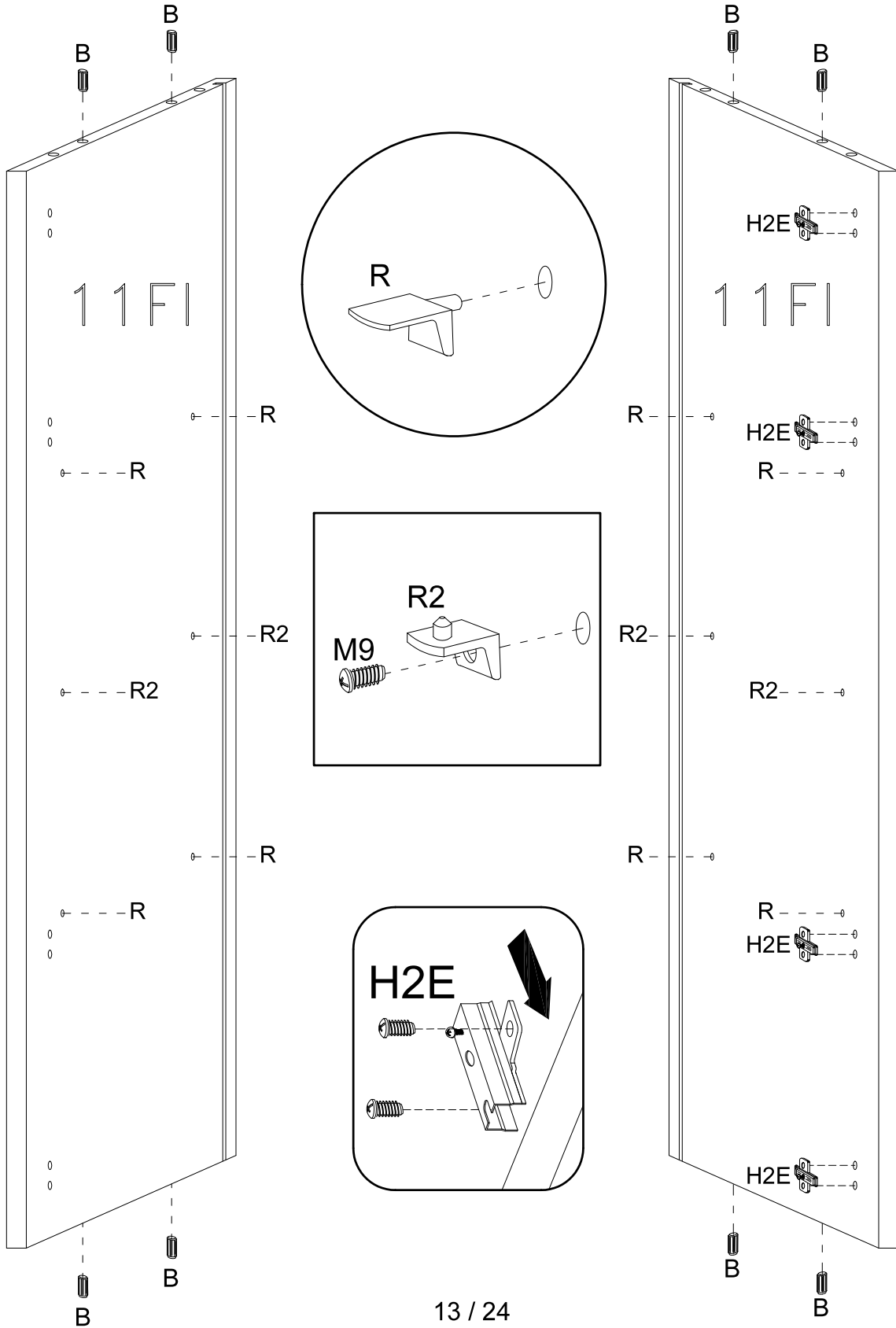
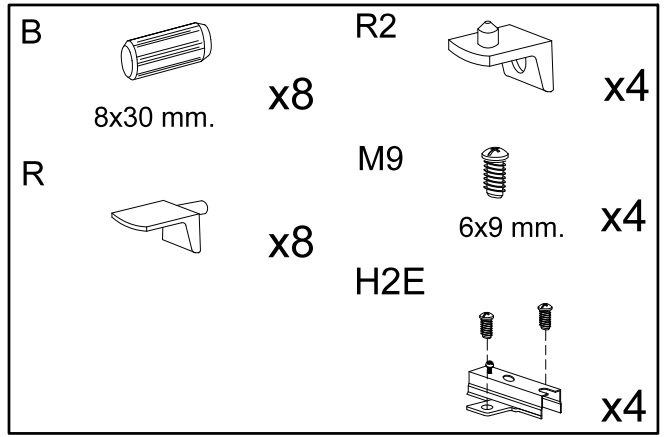
3,5x20 mm.

x6

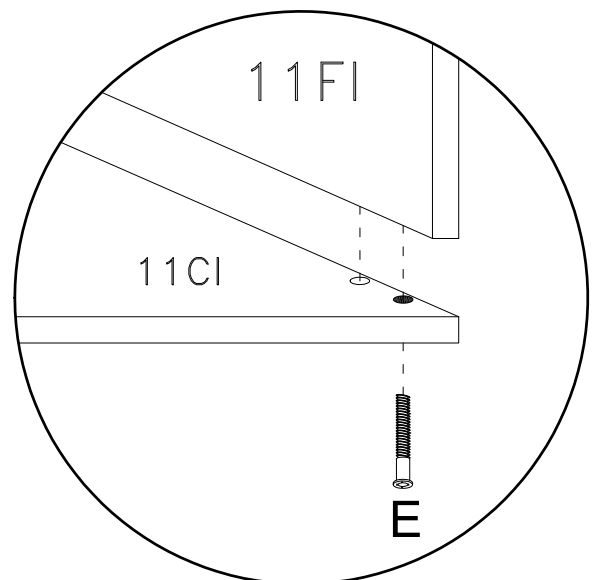
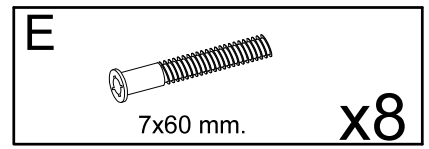
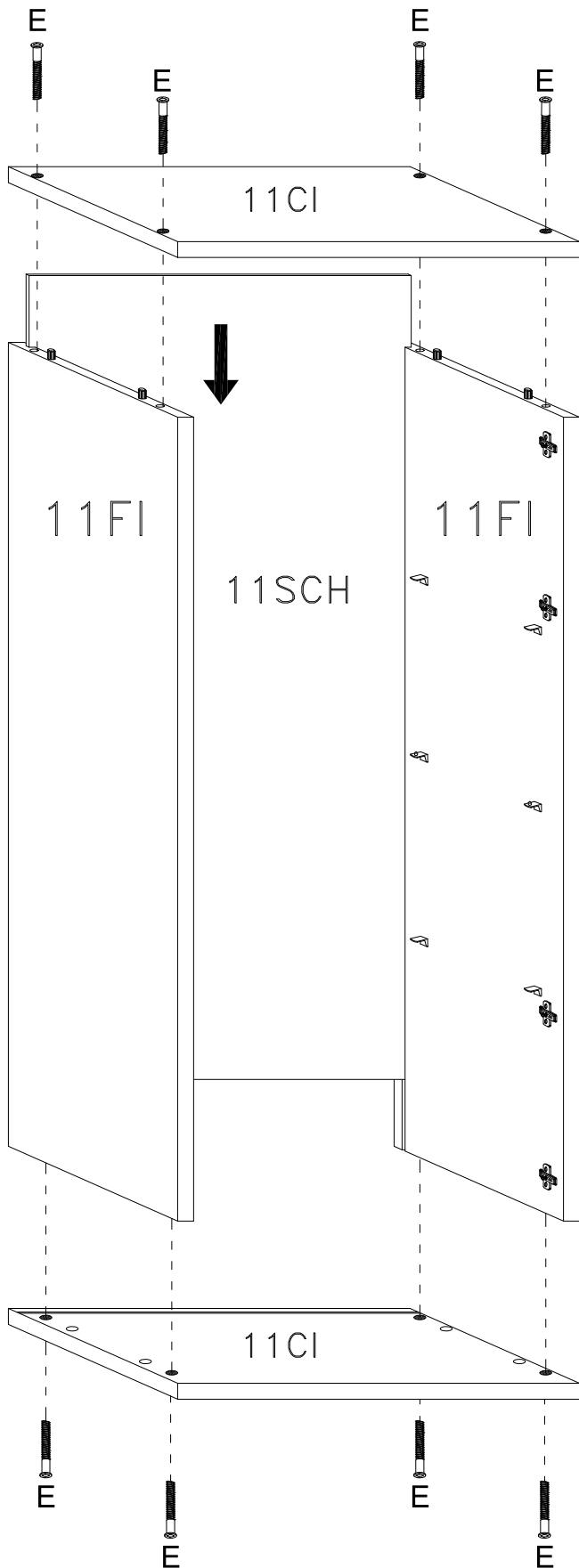


9

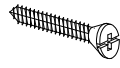
el. 11

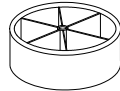


10

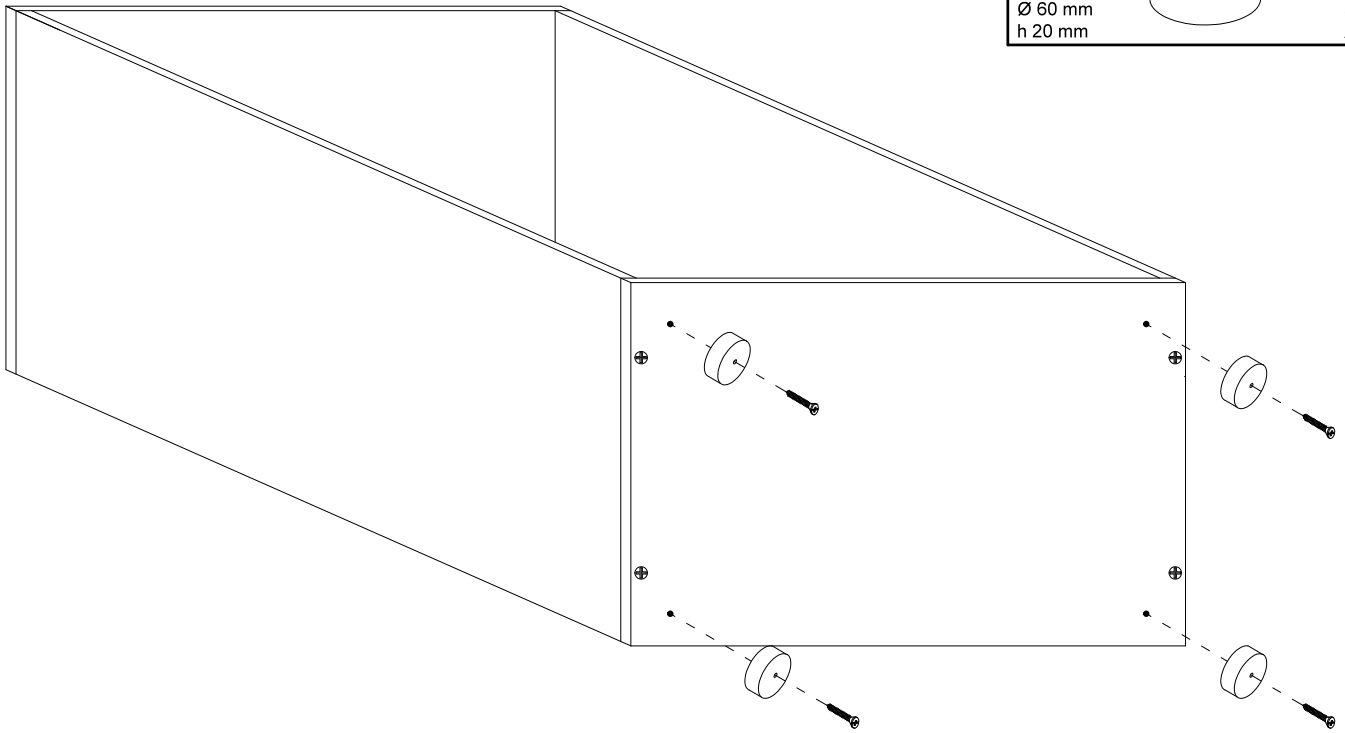


11

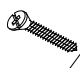
L4530  4.5x30 mm. **x4**

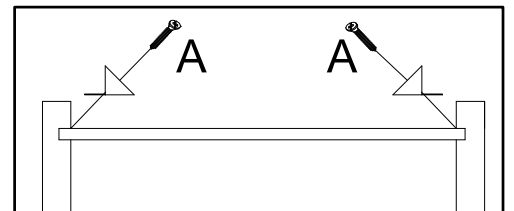
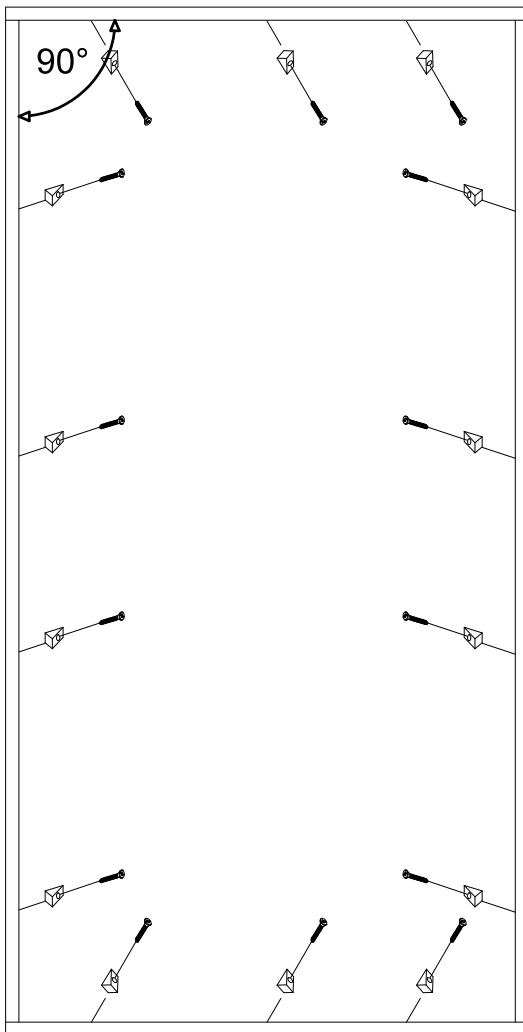
F21  **x4**

Ø 60 mm
h 20 mm

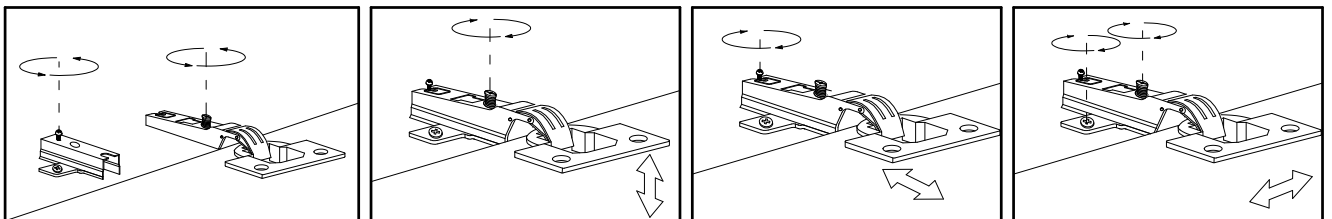
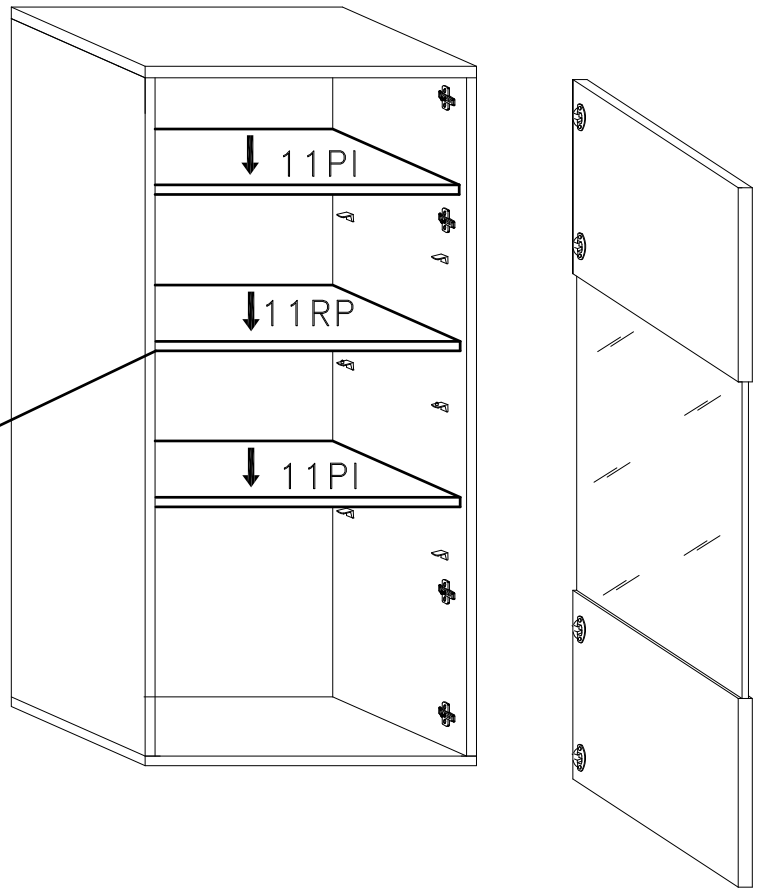
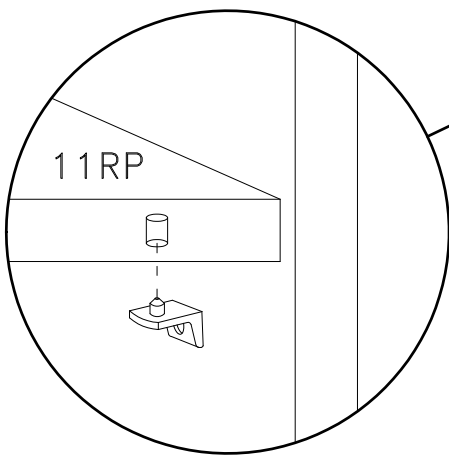
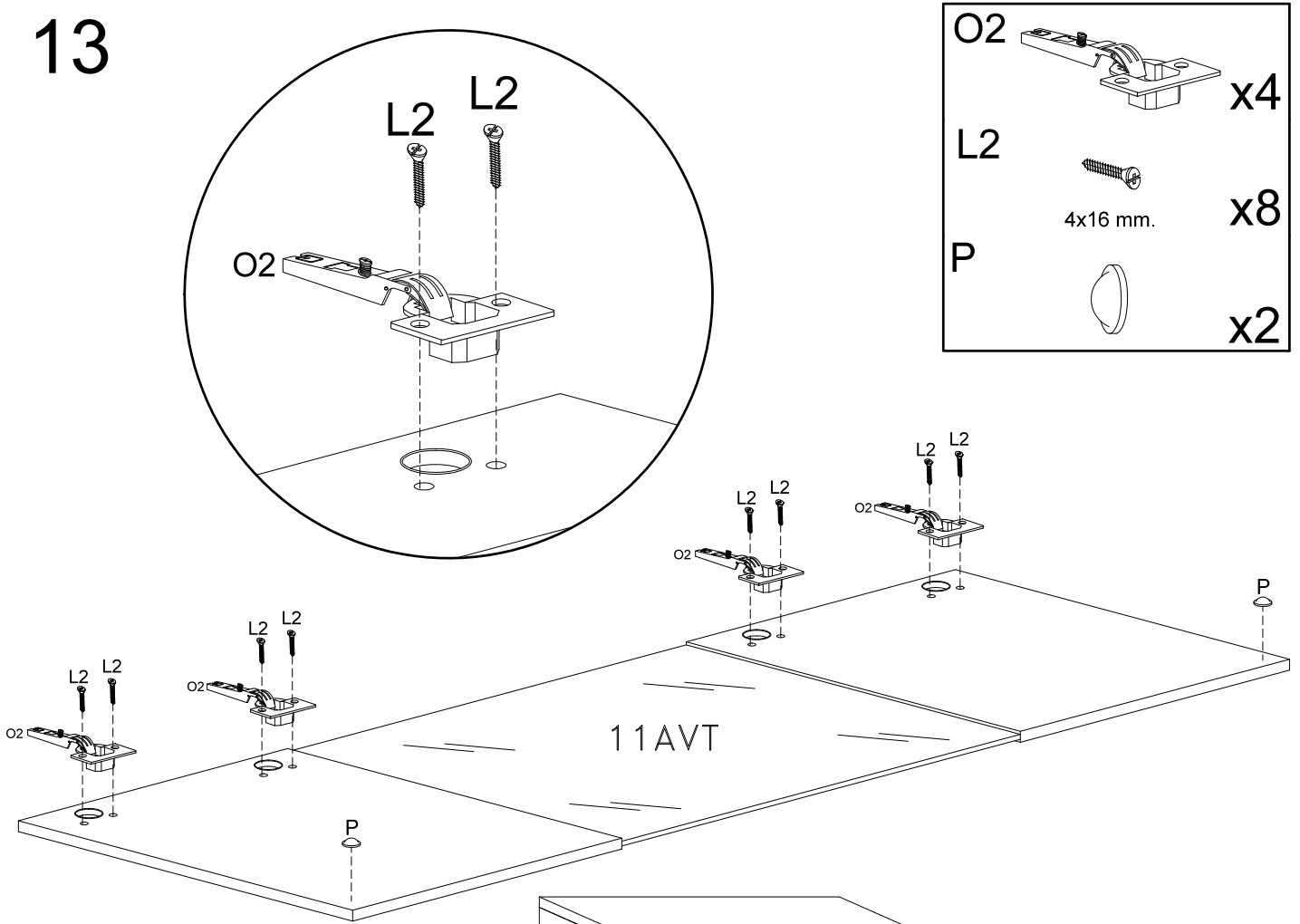


12

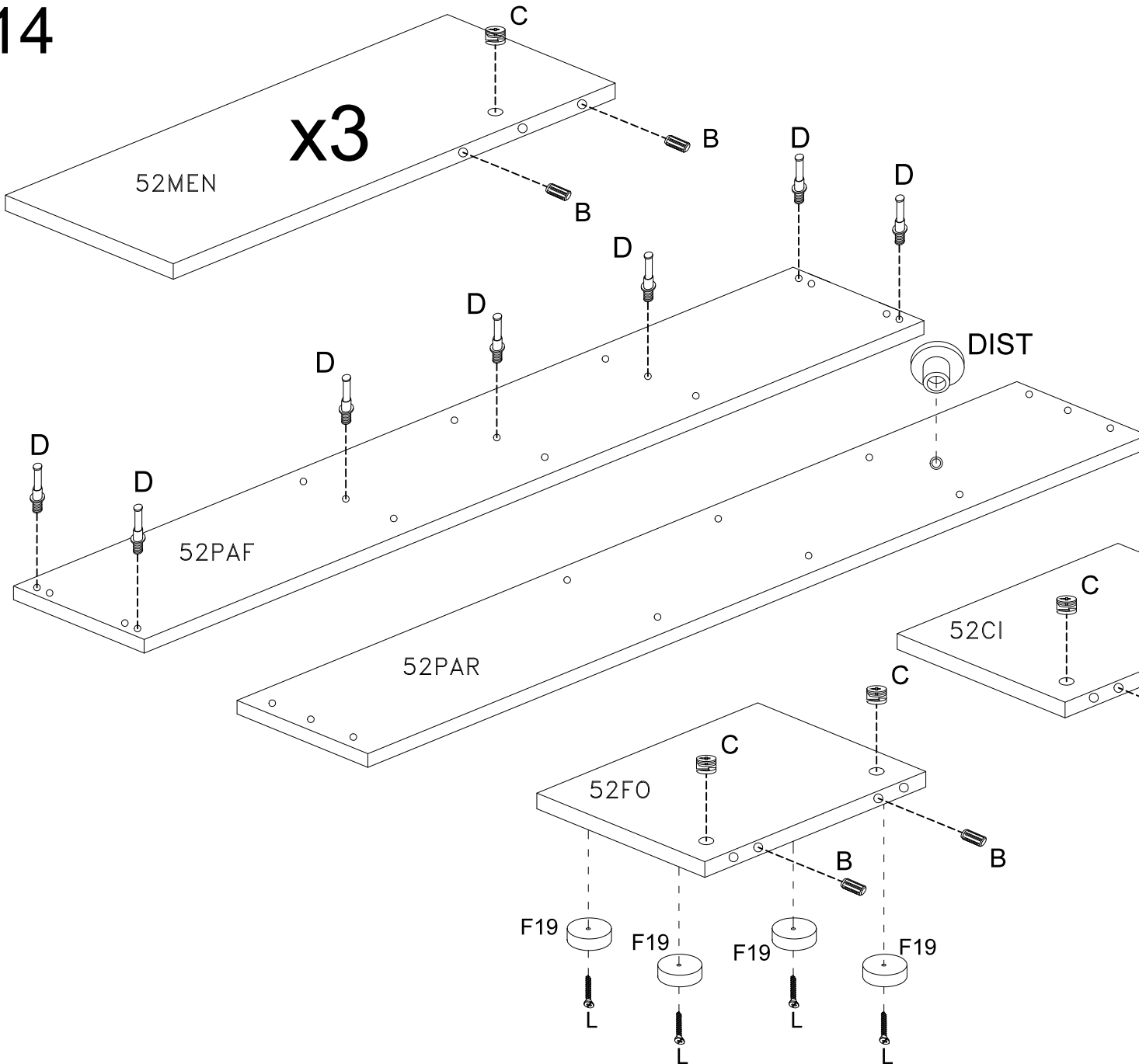
A  **x14**



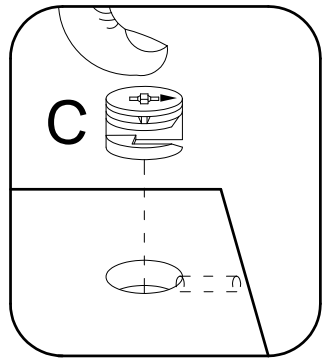
13

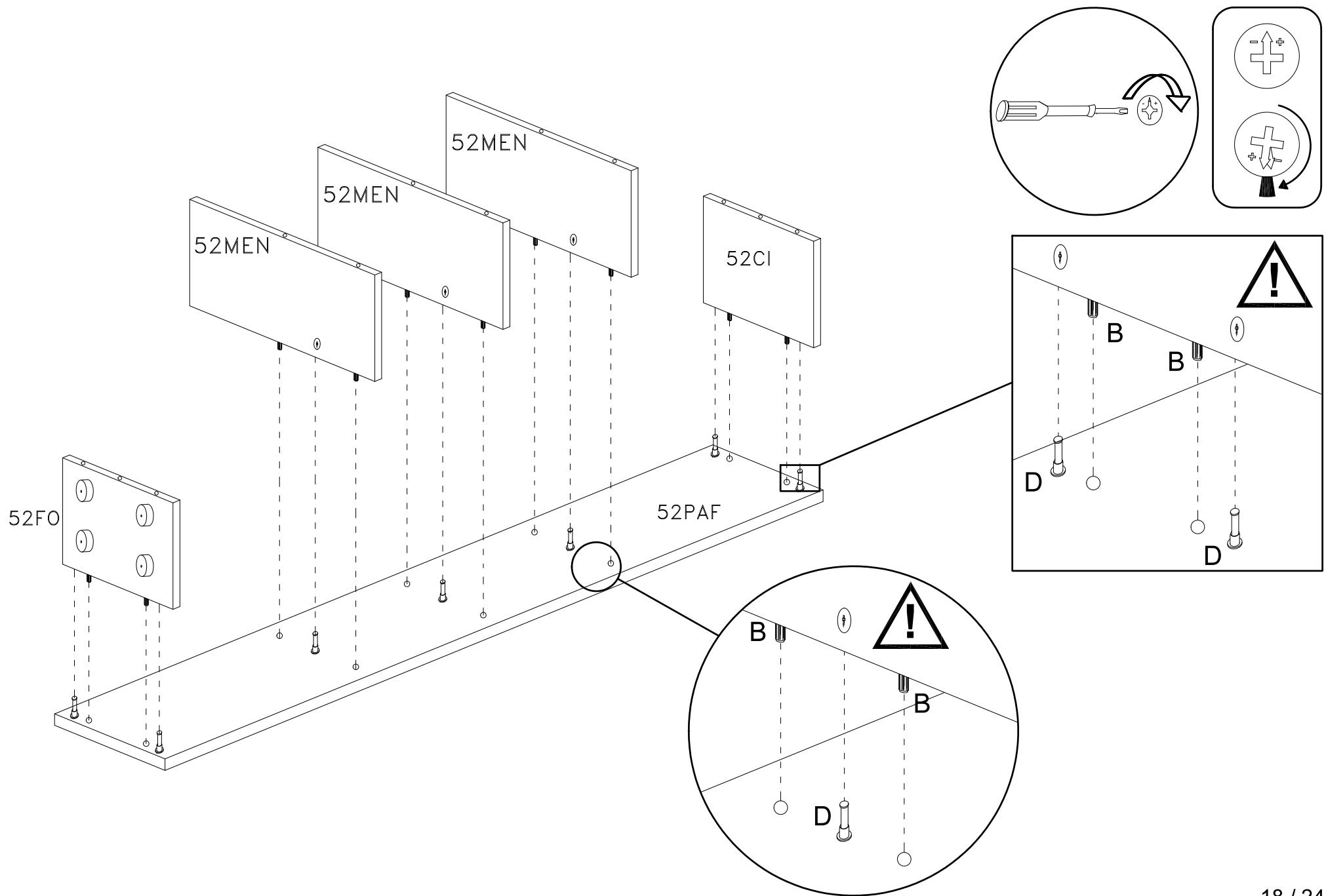


14

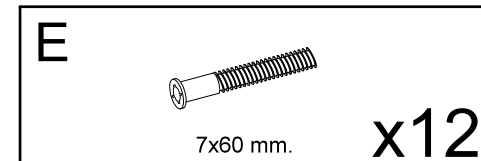
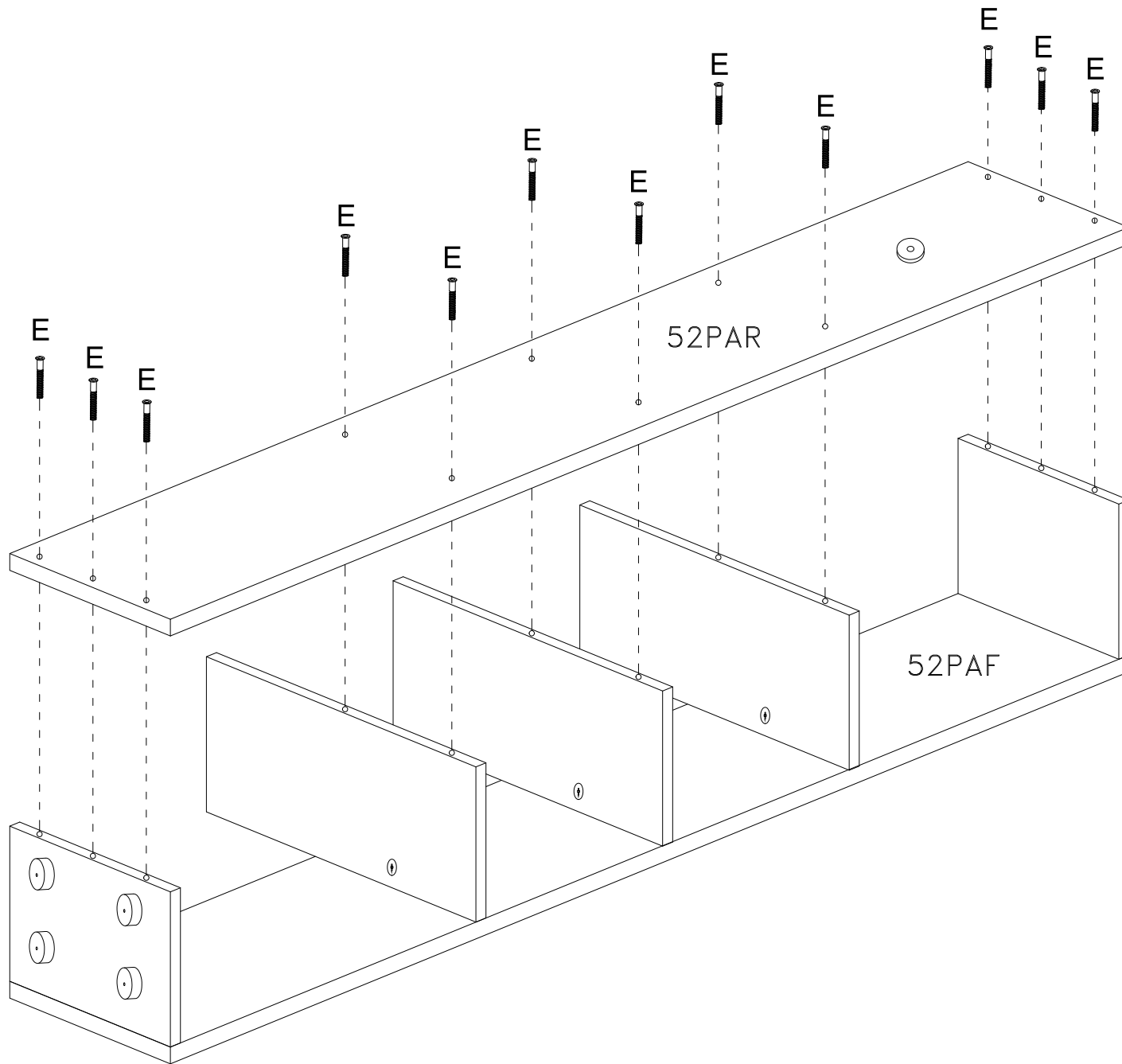






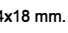
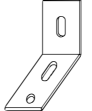
B		x10
C		x7
D		x7
L		x4
F19		x4
DIST		x1

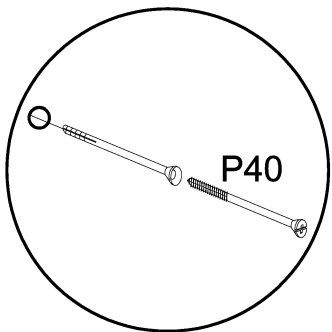
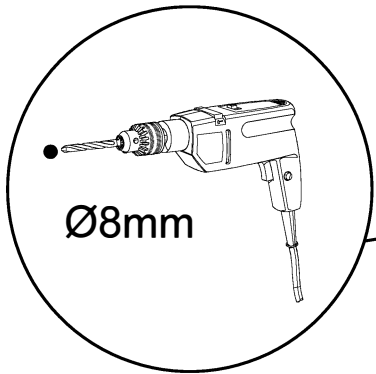
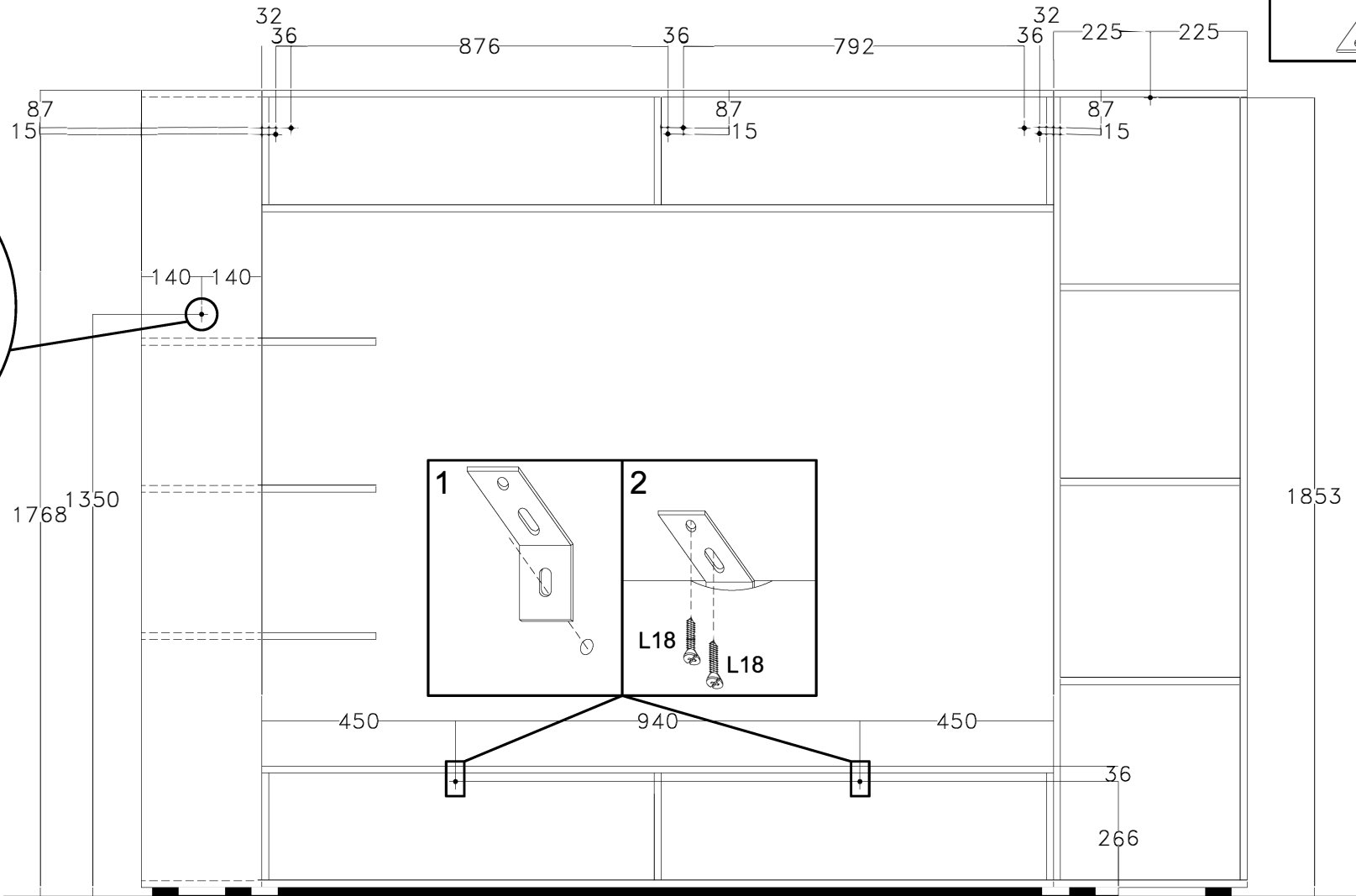





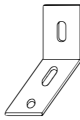
16

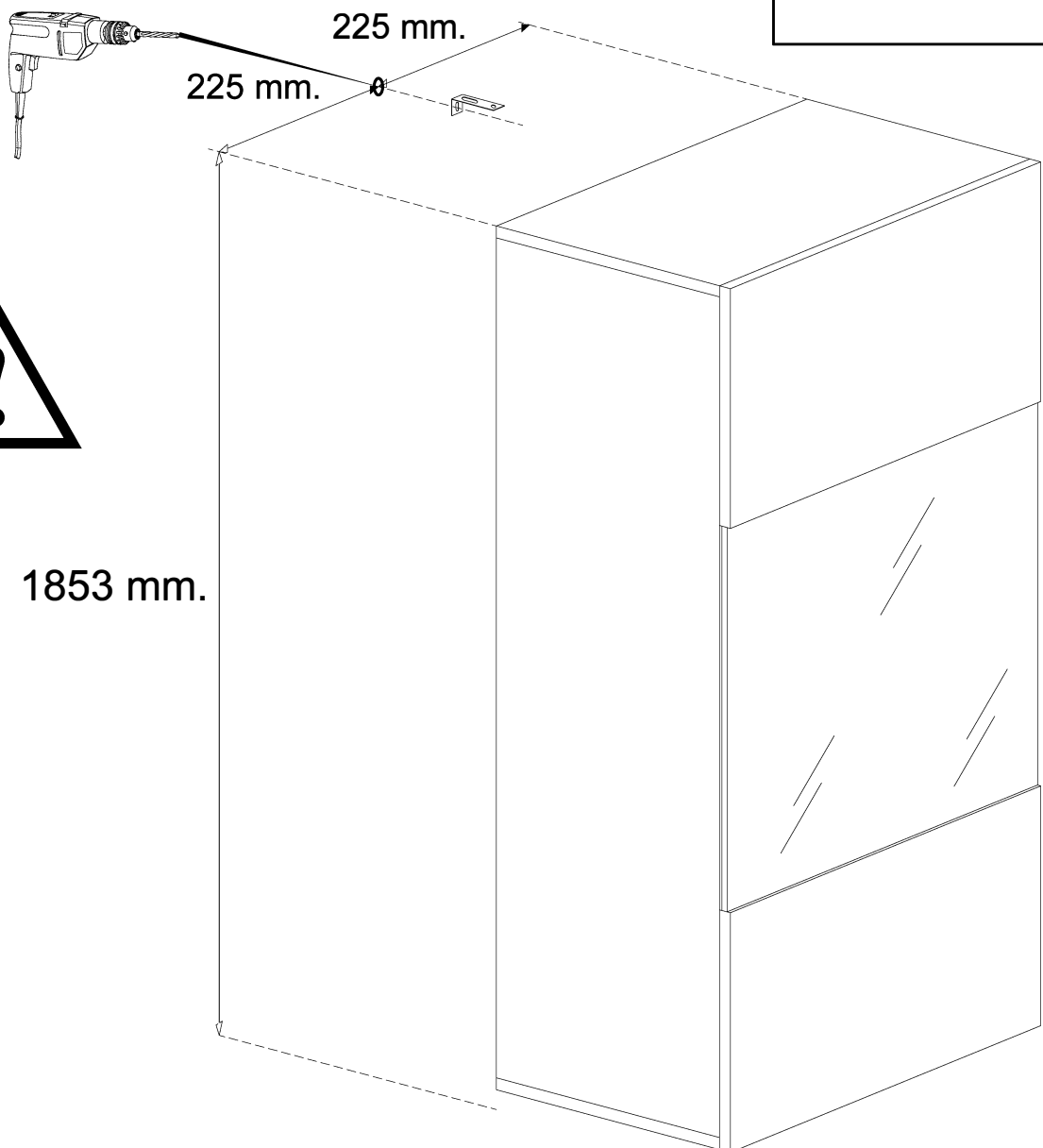
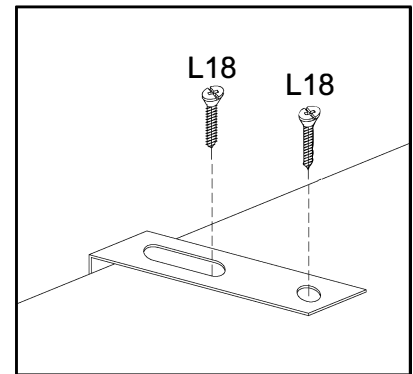
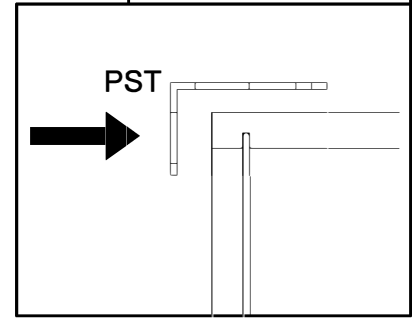


P40		x1
P16		x15
Ø16 mm.		x15
L18		x4
4x18 mm.		x4
PST		x2

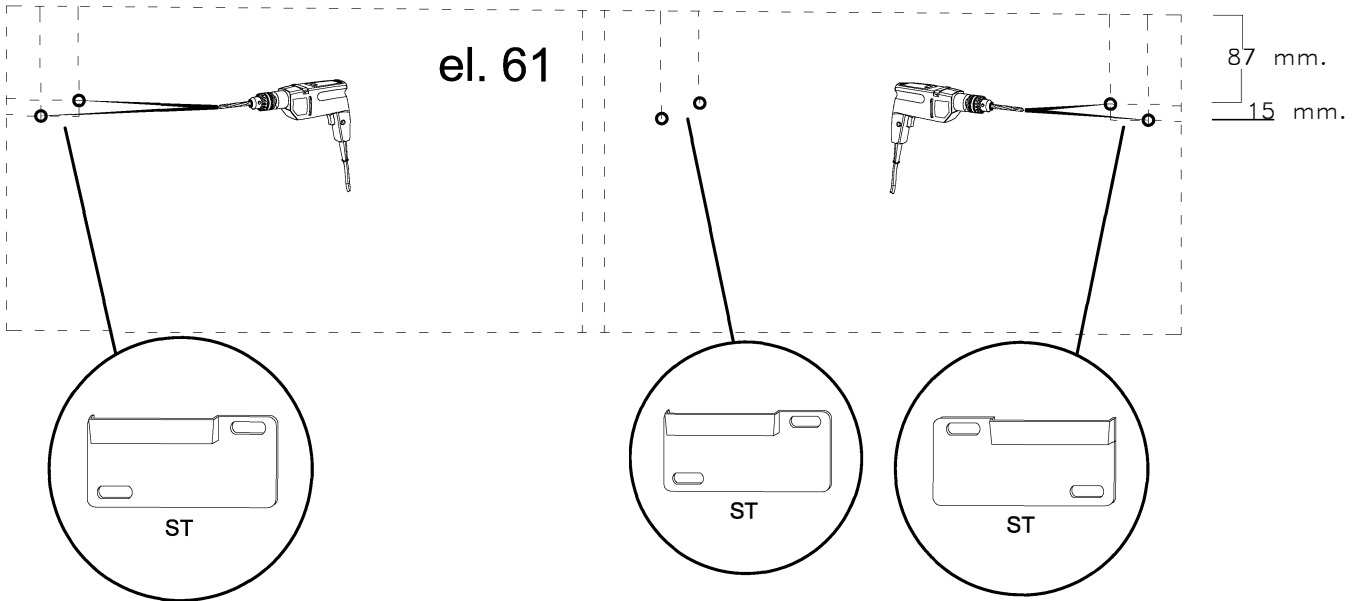
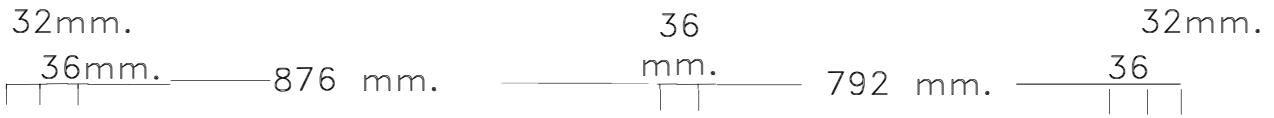
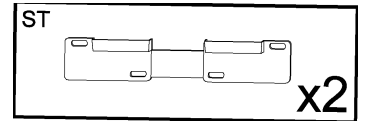
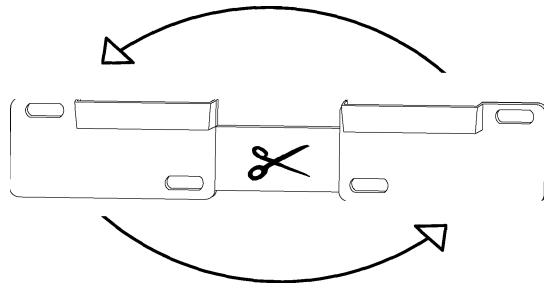


18

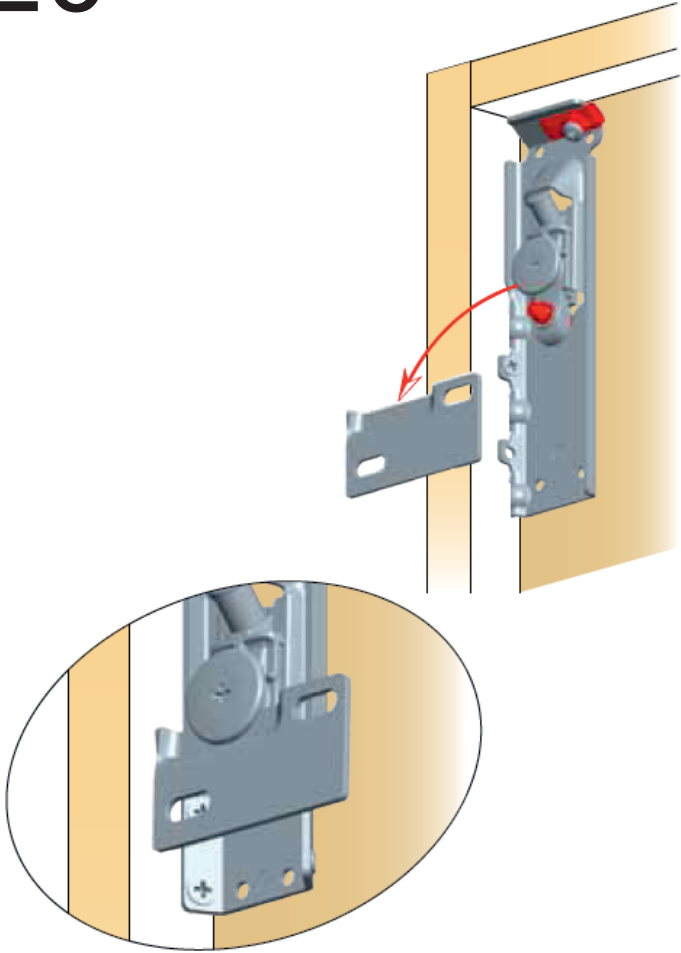
L18		x2
4x18 mm.		
PST		x1



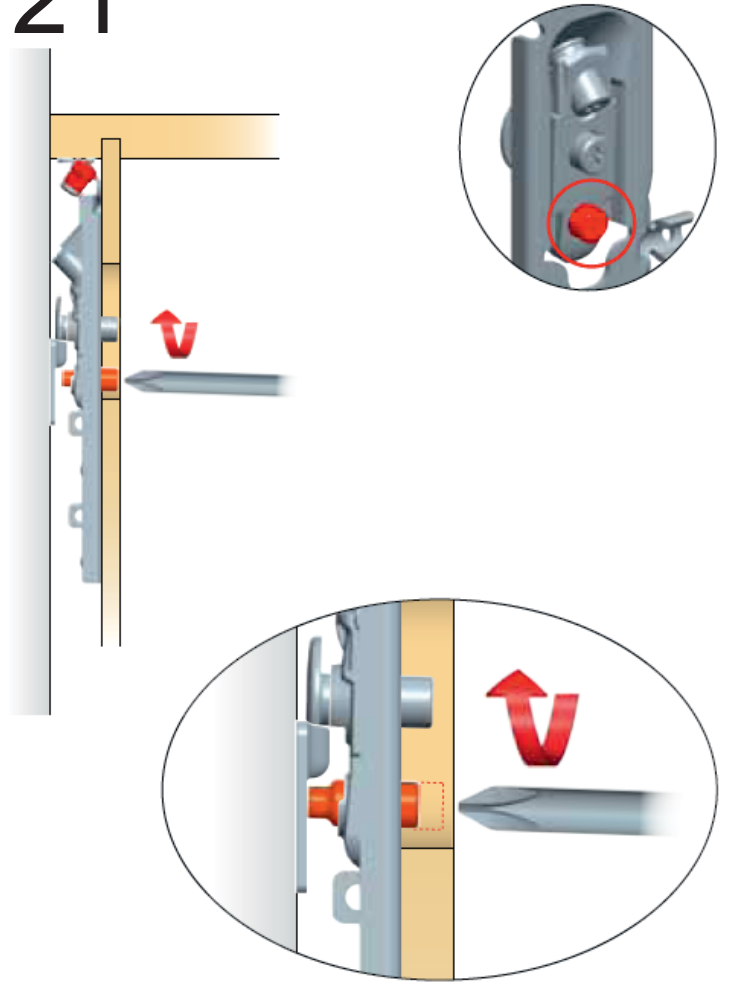
19



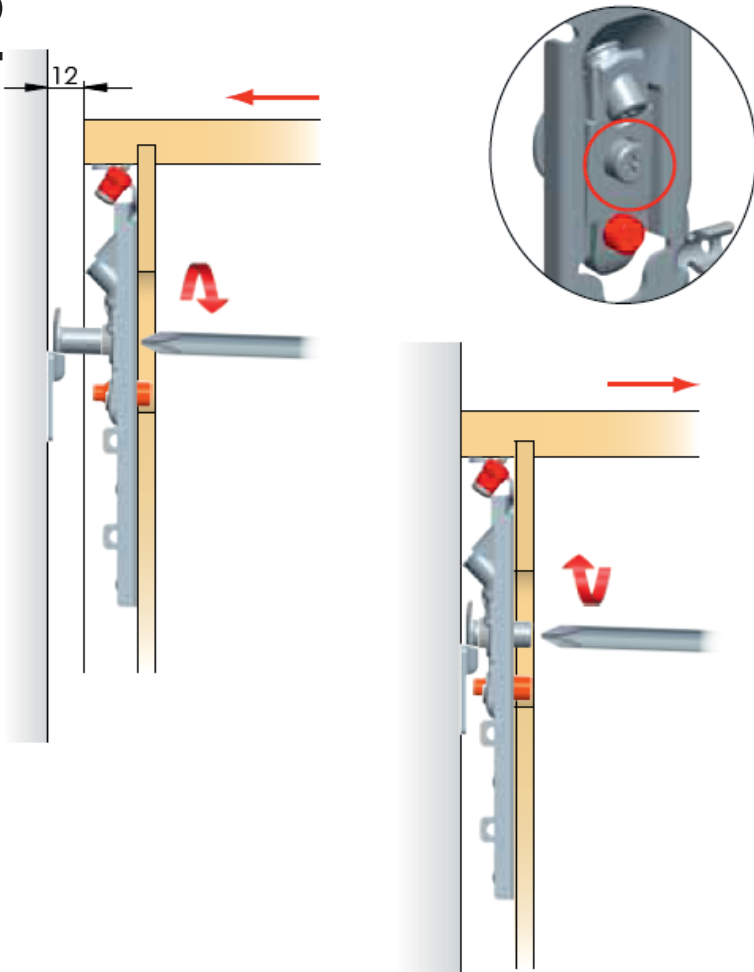
20



21



22



23

